

BIN SYSTEMS

CITYBAC®



SULO®

SULO[®]

Content

Foreword Michel Kempinski	5
SULO worldwide	6-7
Circular Eco	8-9
SULO 4.0	10-11
Bin details	
Lid systems	12-13
Safety systems	14-15
Locks	16-19
Wheel systems	20-23
Labelling	24-33
Citybac®	
Citybac® 2Wheel	38-51
Citybac® 4Wheel	52-63
Citybac® Classic	
Citybac® Classic 2Wheel	68-87
Citybac® Classic 4Wheel	90-105
Citybac® Specials	
Citybac® Medical	112-113
Citybac® Confido	114-115
Citybac® Vario	116-117
Citybac® Diamond	118-119
Your one-stop partner	120-121

No.1 for your Waste Management

SULO



- 1** Citybac® - 2- and 4-Wheeled Bin Systems
- 2** Iceberg® - Undergroundsistemas and Halfundergroundsistemas
- 3** Cityspot®- Recycling Banks
- 4** Litter Bins
- 5** Service Solutions
- 6** Digital - Hardware- and Softwaresolutions

We are delighted to present our new generation of CITYBAC® bins to you. As a pioneer in waste management with a 130-year history, it is our aim to offer you **innovative solutions to turn today's waste into tomorrow's resource.**

The new CITYBAC® generation combines economy, quality and sustainability in a unique way. The typical ECO design and the use of 100% recycled material are milestones in the modern closed-loop circular economy. Many ecologically-minded municipalities and companies have already successfully adopted this path.

Our stated aim is to inspire you with intelligent circular-economy-based solutions. Solutions that reduce the environmental and climate burden to a minimum and contribute substantially to creating a clean world that is worth living in for us and future generations.

We look forward to supporting you, aided by the energy and experience of our 2,500 SULO employees.

Michel Kempinski

President of the SULO Group



Close by for our customers everywhere

SULO WORLDWIDE

Because our environment doesn't stop at any border, it is also our objective to realise our goal of a sustainable circular economy. We provide our customers, institutions, companies and citizens the most innovative solutions of our age, including customised services that can be realised in partnership with partners very close to you:



onomy across different countries and in line with needs throughout the world. For this purpose, we offer municipalities, lied on in any time and place. You will find us and our proven network of production companies, sales enterprises and

EUROPE

SULO France SAS
Immeuble Perspective Défense
1 rue du Débarcadère
92700 Colombes
FRANCE
tel +33 1 40 87 64 00

SULO Deutschland GmbH
Bünder Straße 85
32051 Herford
GERMANY
tel +49 5221 598-05

SULO Iberica SA
Calle Gobelás, 47-49 (La florida)
28023 MADRID
SPAIN
tel +34 91 708-2970

SULO Belgium N.V.
Ring-Oost 14
9400 Ninove
BELGIUM
tel +32 54 31 31 31

SULO Nederland B.V.
Beneluxstraat 4
6014 CC Itterfoort
NETHERLANDS
tel +31 475 56700-0

SULO Nordics
Vannhögsgatan 11
23166 Trelleborg
SWEDEN
tel +46 410 12460

SULO Schweiz AG
Bruggfeldweg 1
4147 Aesch/BL
SWITZERLAND
tel +41 61 560 36 36

SULO Deutschland GmbH
Regionalbüro Österreich
Raiffeisengasse 2
8541 Schwanberg
AUSTRIA
tel +43 676 9504130

ProShop
Kosmonavta Volkova Str. 10/1
127299 Moscow
RUSSIA
tel +7 495 846-80-86

NORTH & CENTRAL AMERICA

SULO Mexico SA de CV
Acceso III 16-B, Int.6, Plaza Quadrum, Parque
Industrial Benito Juárez, Querétaro,
Qro. C.P. 76120
MEXICO
tel +52 442 225 27 01

CARIBBEAN

SULO Caraibe
Im Palmiers Phoenix
ZA de Bois Quarré
97232 Le Lamentin
MARTINIQUE
tel +596 63 91 55

SOUTH AMERICA

SULO Chile SA
Calle Lincoyan 9930
Quilicura (sector Cañaveral)
Santiago de Chile
CHILE
tel + 56 2 2 834 35 00

ASIA & SOUTH PACIFIC

SULO Environmental Systems Pte. Ltd.
18, Boon Lay Way
Trade Hub 21, #09-117
Singapore 609966
SINGAPORE
tel +65 9424 3014

AFRICA & MIDDLE EAST

SULO Middle East
Dubai Science Park
DUBAI
UNITED ARAB EMIRATES
tel +971 50 853 9716

INDIAN OCEAN

SULO La Réunion
24 bis rue de la Martinique
ZAC Fourcherolles
97480 Sainte-Clotilde
REUNION ISLAND
tel +33 262711412

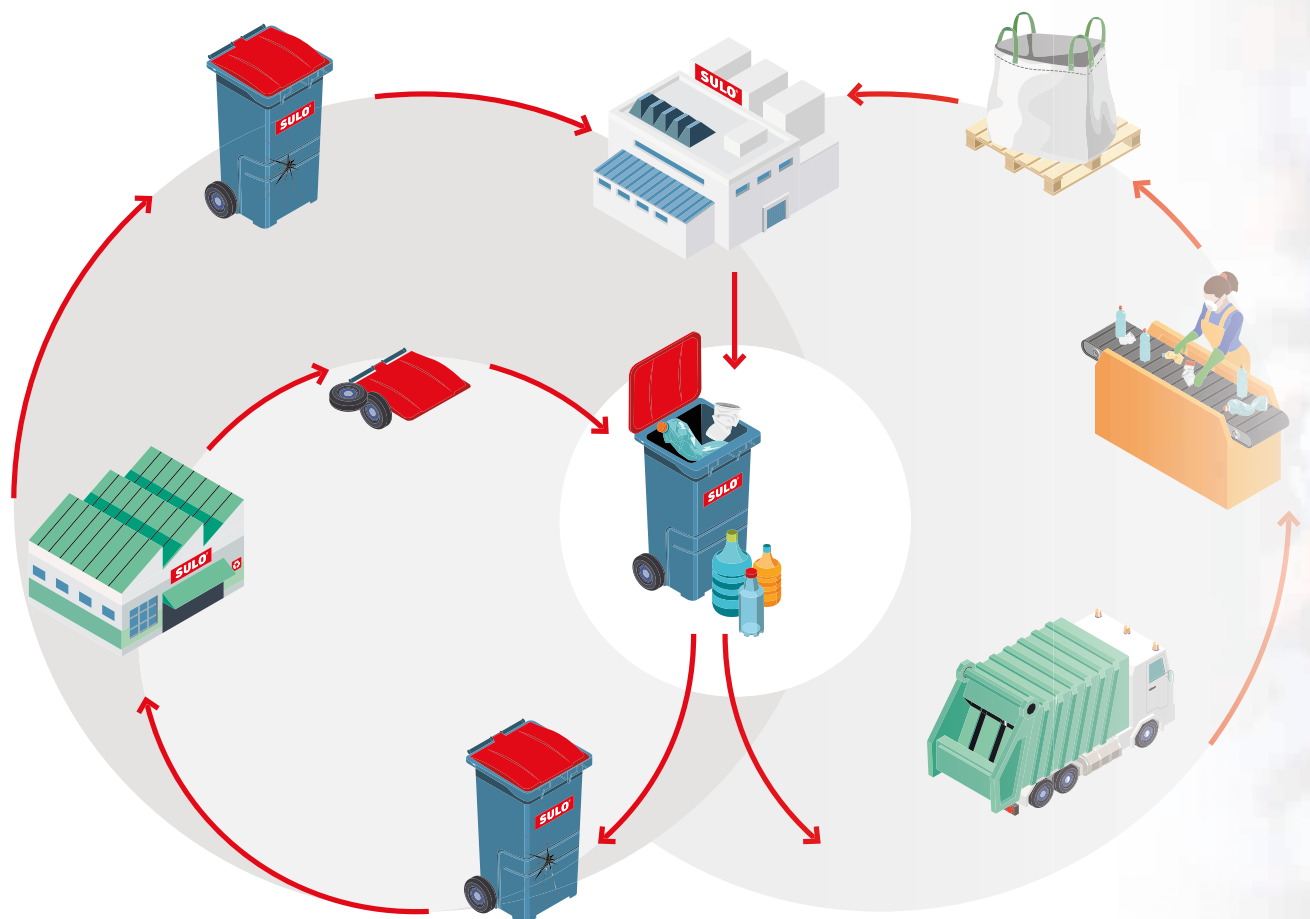
We close the loop

CITYBAC®

CITYBAC® bins are used to collect plastic waste, among other things. This means that CITYBAC® bins are an indispensable component of the modern circular economy as a tool for collection. In addition, the recycled material from every CITYBAC® bin is itself used in its entirety in the production of new bins at the end of its lifecycle. As a result, CITYBAC® bins are the essential basis for the sustainable shaping of the future in several respects.

CITYBAC® bins remain in the loop – all CITYBAC® bins are 100 % recyclable. Nothing is wasted; the circle is closed completely. This enables us to reduce the consumption of fossil fuels to a minimum. This is a documentable bonus for the ecological development of cities and municipalities with respect to the reduction of their carbon footprint.

At least 60 % post-consumer recycle – in addition to the recycled bins, post-consumer recycle, meaning used bottles and packaging, are used in the production of our RAL-certified bins. The share of this is at least 60 %.





Pioneers of quality

SULO 4.0

SULO bins are famous throughout the world for their particular longevity and robustness. The same is true for our CITYBAC® bins. **Indeed, we ensure our quality leadership through a strict quality management system that goes far beyond the required standards:**

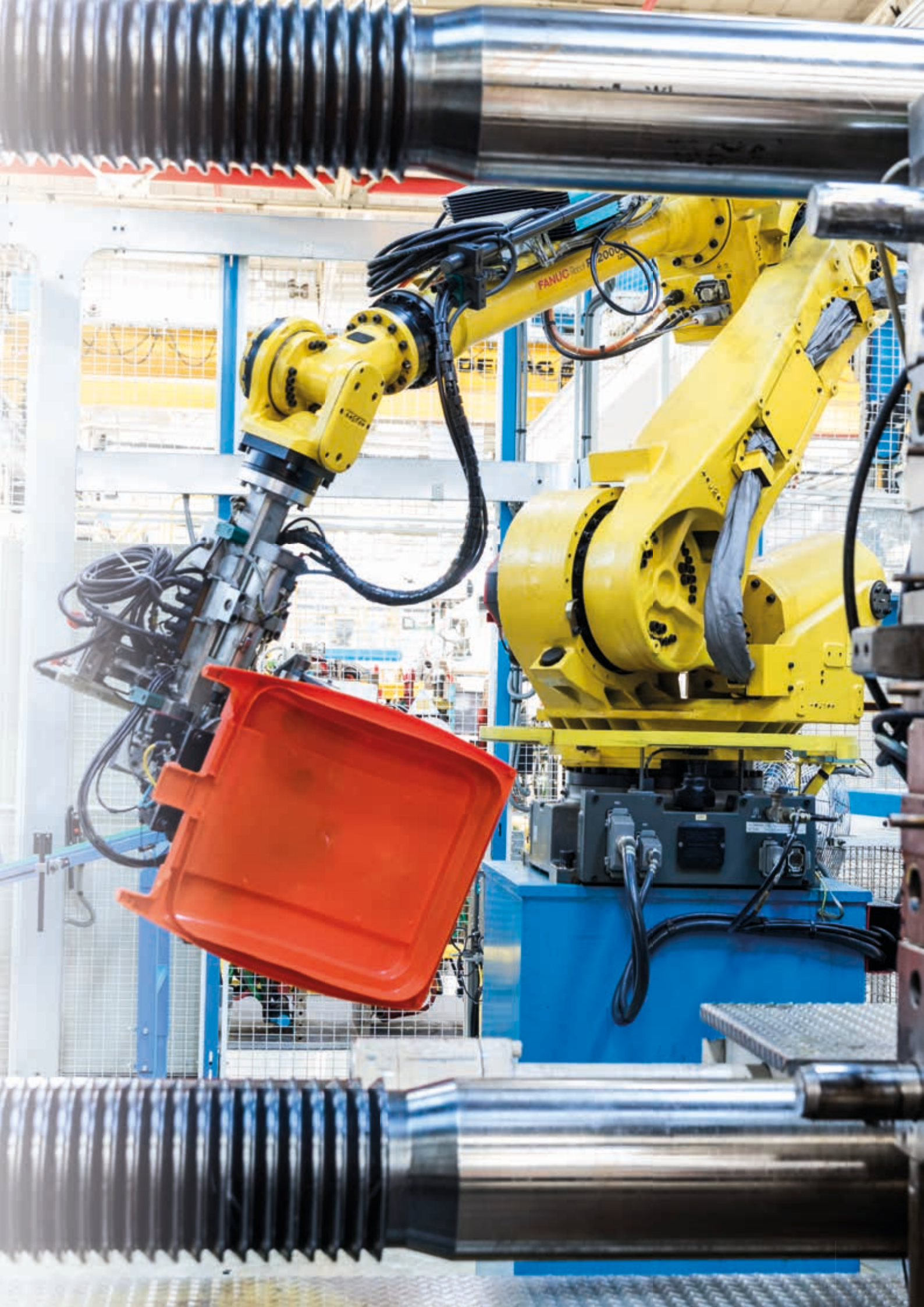
- certified according to EN 840 and RAL GZ 951/1
- certified management system according to DIN EN ISO 9001, ISO 14001, ISO 45001 and ISO 50001

MANUFACTURED IN LINE WITH THE LATEST INDUSTRY 4.0 CONDITIONS

Our plant in Langres is the first company in France to have been audited and certified according to the AFAQ standard for the circular economy.

Our production site in Herford, Germany, has been audited and certified with the Blue Angel environmental seal, which confirms SULO's status as a pioneer in sustainability and innovative material quality.





Always absolutely top

LID SYSTEMS

The appearance of CITYBAC® bins is defined to a high degree by their lids. In addition to their design, the different variants stand out thanks to their specific uses and substantial benefits. For the 2-wheeled bins in the sizes 60 to 360 litres, SULO offers four different lid variants. The 4-wheeled bins in the sizes 660, 770 and 1100 litres are fitted with a flat lid. The 1100-litre bin can also be configured with a convenient domed lid. Owing to their compatibility, all lid variants are available for CITYBAC® and CITYBAC® CLASSIC bins.

STANDARD LID

The CITYBAC® standard lid has two easy reach-through handles, which enable the easy opening of the lid. The level surface offers different options for marking and personalisation. Hot foil stamping, embossing or stickers support communication with the user.



CLIP LID

The clip lid supports the all-round sustainability of your bin. With the coloured clip for waste category identification, no coloured lid is required, meaning that the entire bin can be produced from environmentally friendly recyclate. Another benefit: a subsequent change in waste category is easily possible without a lid switch – a perfect win-win situation for the environment and your budget.

DESIGN LID

The design lid impresses thanks to its simplicity. With a grip rail that runs around all three sides, the lid can be easily and comfortably opened. Large level surfaces enable different options for marking and personalisation.



SILENT LID

The name says it all. Besides its modern look, this lid offers efficient noise reduction with a simple trick. Thanks to a larger plastic lip on the underside of the lid, the lid shuts more slowly, similarly to a parachute. This patented function reduces the noise produced upon closing by 20%.

FLAT LID (FL)

Three ergonomically placed easy reach-through handles enable the particularly easy opening of CITYBAC® 4-wheeled bins. The large level surface offers different options for the marking and personalisation of the lid. Hot foil stamping, embossing or stickers support communication with the user.

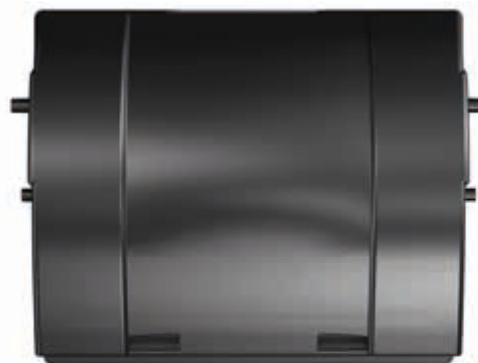


LID-IN-LID FOR FLAT LID (LIL)

The latest lid in the 4-wheeled bin family offers a clear increase in ergonomic comfort thanks to the two-part lid design. The front lid can be opened from almost any position without any notable effort using two integrated easy reach-through handles as well as handles on the side. Thanks to the large slot size of 290 mm in depth, even a 50-litre bag of rubbish can be disposed of without any problems. This makes barrier-free use easy even for the elderly or those with limited mobility. The lid's well thought-out design allows a large number of different marking and personalisation options.

DOME LID (DL)

For the CITYBAC® 1100, a dome lid is also available, which can be pushed open with ease and thus offers a clear advantage in terms of comfort. A child safety device is built in as standard and prevents automatic closure. One benefit during the emptying process is that the round lid is pushed backwards by the lid opening trunnions and so doesn't hamper the compaction process during emptying.



LID-IN-LID FOR DOME LID (LIL)

In the lid-in-lid solution for the dome lid of the 1100-litre bin, the small lid at the front is extremely large, relatively speaking. Even large bags of waste can be comfortably disposed of with this variant. The integrated handle on the front lid means it can be opened effortlessly. As well as all ergonomic benefits, this lid variant also features a child safety device.



Safety first

SAFETY DEVICES

4-wheeled CITYBAC® from SULO perform an important function in the public and private sphere. That is why it is particularly important to us that our bins leave nothing to be desired in terms of convenience and safety for garbage collectors, users and children.

SAFE WASTE DISPOSAL - SULO SAFETY FEATURES

Safety starts with the design. Our decades of experience as a leading supplier provide everything we need to equip each of our 4-wheeled CITYBAC® with ground-breaking security features:

- Stable design thanks to the patented honeycomb structure
- Rot-proof, high-performance material HDPE
- Perfect, smooth surfaces without shear waves
- No sharp corners and edges
- Rounded profiles to avoid breaking points
- Two-step reinforced DIN comb according to EN 840 for maximum safe emptying
- Lifting trunnions reinforced by means of a steel insert
- Smooth, robust castors for easy and safe manoeuvring
- Proven SULO double-stop system for effortless brake locking
- Ergonomically designed, sturdy handles
- Only child-resistant bins in accordance with statutory regulations



Child  **SAFE**

Child safety device made by SULO

BASIC SYSTEM +OPTION



Additional attachments on both sides of the bin prevent the domed lid from closing automatically due to its own weight. For this purpose, the flexible leg spring snaps into a holding plate. The lid closes only up to the opening position, leaving a gap of at least 181 mm open. The lid only closes completely when the lid is shut manually.

1 When emptying the container, it is **NOT** placed down again with the lid closed; **2** instead, the lid needs to be pulled shut by hand.

LIGHT SYSTEM +OPTION



The lid closes only up to the opening position, leaving a gap of at least 181 mm open. To completely close the lid it is necessary to operate the push-buttons with two hands while pulling the lid forward. These are attached to the front lid rim and can be conveniently operated by thumb, while at the same time holding the handles. The push-buttons cause the shaft to pivot upwards, leaving no obstacle, thus allowing the lid to be completely closed.

1 When emptying the container, it is **NOT** placed down again with the lid closed; instead, **2** the lid needs to be pulled shut by hand.

COMFORT SYSTEM (standard)



The domed lid consists of two key functional elements that make it childproof. Hooks attached to the side of the exterior of the body, prevent the lid from closing completely. The corresponding counterpiece is the childproofing shaft made of metal attached to the side of the lid underside outside the bin interior. If the lid moves forward from the completely open position, the shaft stops in front of the hook.

1 The container is placed down again after emptying with the lid closed.

Inherently conclusive **CYLINDER LOCK**

A cylinder lock is a unit consisting of various attachment parts. It encompasses the lock, with its components being fitted on both the body and the lid. If the container is locked, both of the lock components are interlocked. The lock cover is visibly fitted onto the exterior of the container lid. Inside the cover is the locking cylinder.

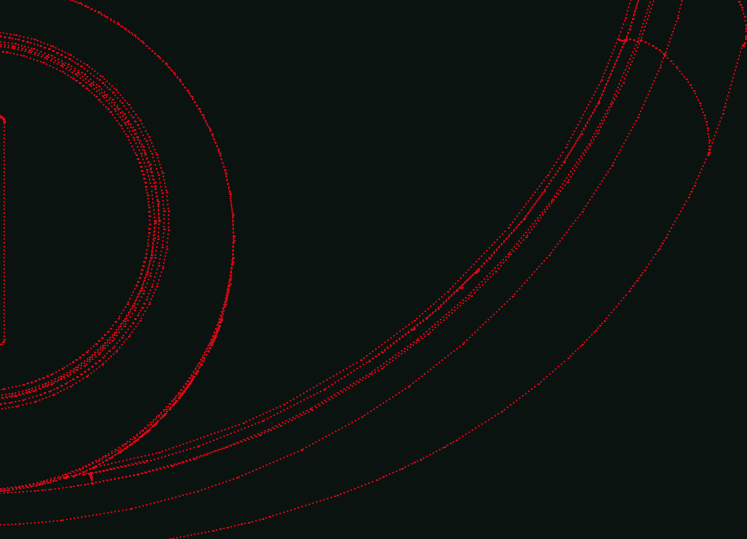


Cylinder lock
with automatic function



Cylinder lock
without automatic function





CLOSING METHODS OF CYLINDER LOCKS

same keys


500 locks all have an identical key

different keys

500 locks have different keys

group keys

two locks always have an identical key

- 1 Lock cap
- 2 Lid bottom
- 3 Body attachment part
- 4  Gravity box

With or without gravity system

CYLINDER LOCK

MANUAL LOCK

LOCKS WITHOUT AUTOMATIC FUNCTION

- recognisable by the green signal colour
- the difference to locks with gravity function is that they must be opened by the disposal personnel before the emptying process



FUNCTIONALITY

Cylinder lock
without automatic function



AUTOMATIC LOCK

LOCKS WITH AUTOMATIC FUNCTION

- recognisable by the red signal colour
- the bin opens automatically when tipped over 90°, i.e. in bulk, and releases the contents of the bin for emptying
- the gravity function is an additional attachment inside the body that supplements the assembly of the lock



FUNCTIONALITY

Cylinder lock
with automatic function



Smooth and easy manoeuvrability

WHEEL SYSTEMS

The 2-wheeled CITYBAC® bins are equipped with 200-millimetre wheels. The 2-wheeled CITYBAC® Classic bin can also be ordered optionally with the wheel sizes 250 (60-240 litre) and 300 (360 litre) millimetres. The wheels with a diameter of 250 and 300 millimetres can be manoeuvred through snow very well and are therefore recommended in regions where a lot of snow falls during the winter months. The 2-wheeled CITYBAC® bins are fitted with recyclable tubular axles made of steel, while full axles are also available as an option.

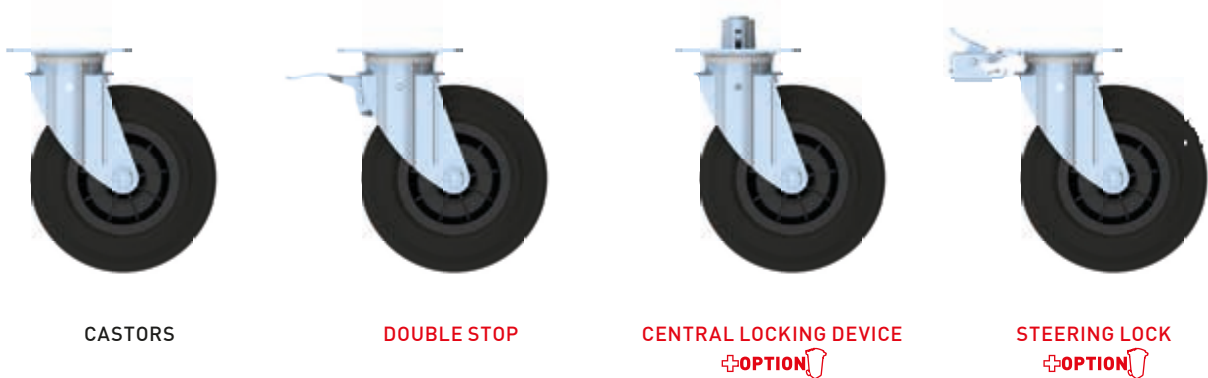


Ø 300 MM WHEEL
+OPTION 

Ø 250 MM WHEEL
+OPTION 

Ø 200 MM WHEEL









For the CITYBAC® 4-wheeled bins, SULO offers various wheel variants, which both guarantee easy steering and also prevent bins from rolling away. The wheels on 4-wheeled bins consists of self-aligning castors and functional castors.



The bins are always equipped with two self-aligning castors as standard, which are mounted on the back of the 4-wheeled bins on the left and right sides. Castors are characterised by their ability to turn an angle of 360°.

Functional castors are attached at the front of the underside of the bin. They act as a brake on the wheels of CITYBAC® 4-wheeled bins. These include the double stop (DS) and central locking device (ZF) brake systems. Both brake systems can be combined with the steering lock.

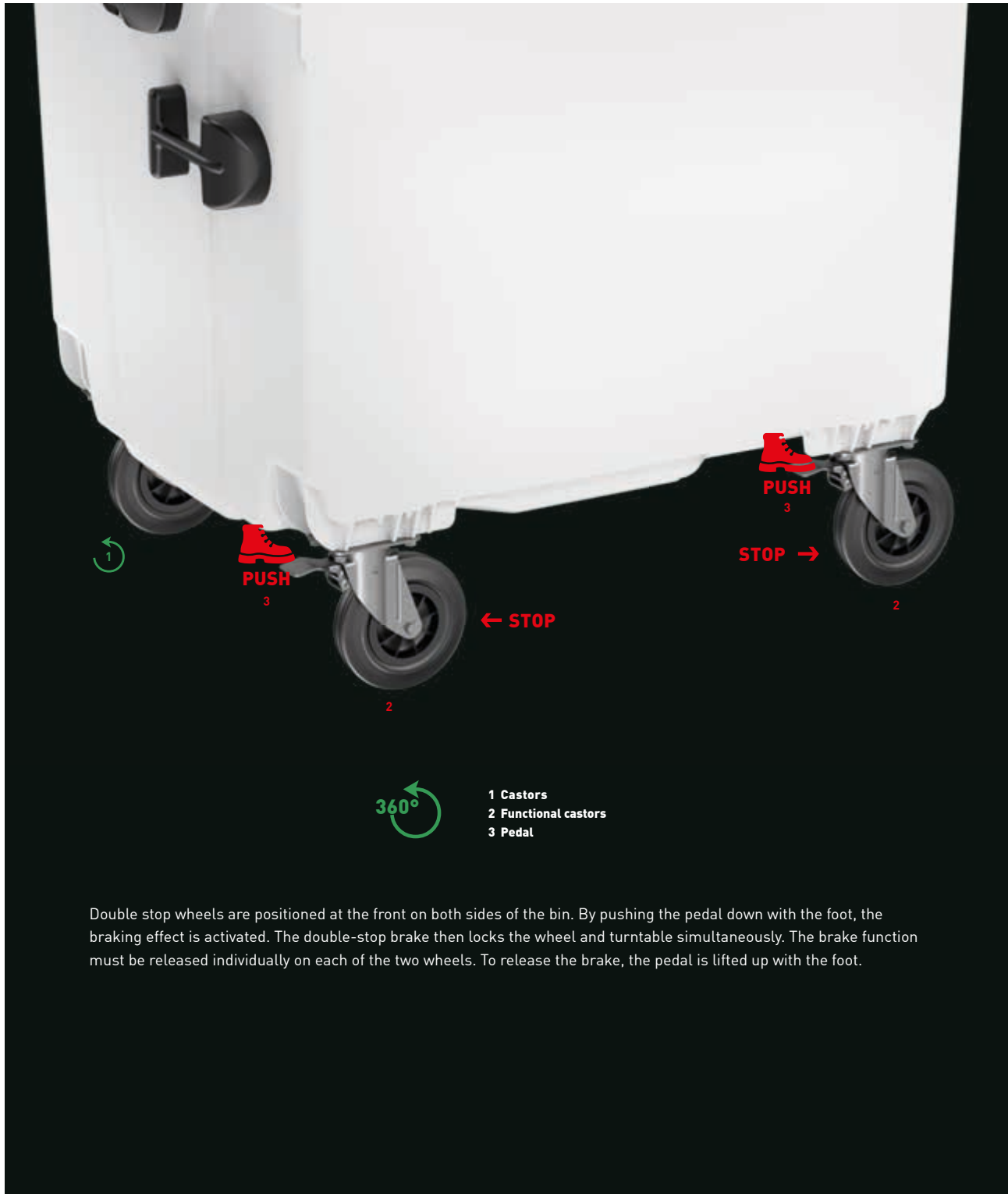
Combination Options

CHASSIS SYSTEMS	DOUBLE STOP	CENTRAL LOCKING DEVICE	DOUBLE STOP + STEERING LOCK	CENTRAL LOCKING DEVICE + STEERING LOCK	CASTORS
Standard	 +				
Combination 1		 +			
Combination 2			 +		
Combination 3				 +	

Keep what they promise

WHEEL SYSTEMS

FUNCTIONALITY DOUBLE STOP (DS)



Double stop wheels are positioned at the front on both sides of the bin. By pushing the pedal down with the foot, the braking effect is activated. The double-stop brake then locks the wheel and turntable simultaneously. The brake function must be released individually on each of the two wheels. To release the brake, the pedal is lifted up with the foot.

FUNCTIONALITY CENTRAL LOCKING DEVICE (ZF)



The central locking device is the convenient braking system for the 4-wheeled Citybac®. As with the double-stop, the wheels with the central locking device are also mounted in the front on the right and left sides. In addition, both wheels are connected by a rod, which transfers the braking action.

The central locking device also has a foot pedal, which is mounted on the front of the bin on the right side. To activate the brake, the foot pedal is pressed downward. This locks both wheels simultaneously. This foot pedal has an upward connection to the right lifting handle. If the brake is on, it can only be released by opening the triangular lock with a triangular key, which is located in the lifting handle. Bins that are equipped with a central locking device are therefore difficult for unauthorised persons to move or take away. With the ZF equipment option, these 4-wheeled bins are a part of the product range of bins with braking systems.

Communication arrives

LABELLING

In addition to the SULO sticker, there are of course additional options for marking and/or personalisation on the body and lid of CITYBAC® bins. Whether multicoloured stickers or monochrome hot foil stamping, there is nothing to stand in the way of your communication with the user. To make bin management easier and to ensure the durable marking of bins, we offer the imprinting of consecutive numbers in black, white or colourless for the lid and/or body.

PERSONALIZATION ON THE BODY



SULO sticker



Customer sticker



Hot foil stamping



Running number
body (colourless/
black/white)

PERSONALIZATION ON THE LID



Sticker



Hot foil stamping



Screen printing
only with Citybac®
1100 RD

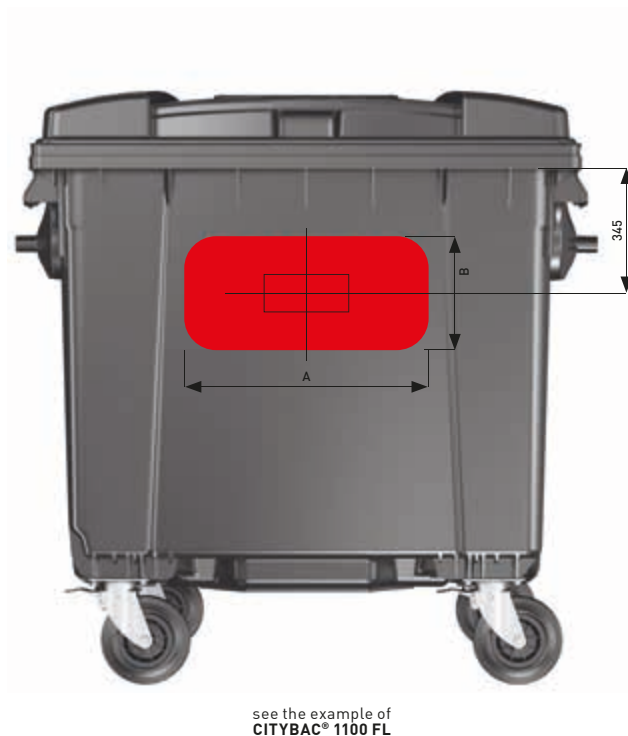
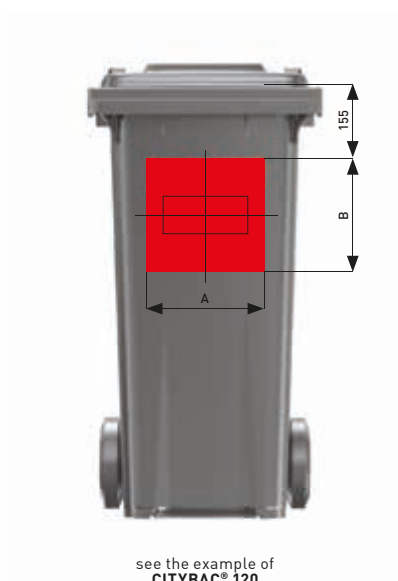


Running number lid
(colourless/black/
white)



Embossing insert

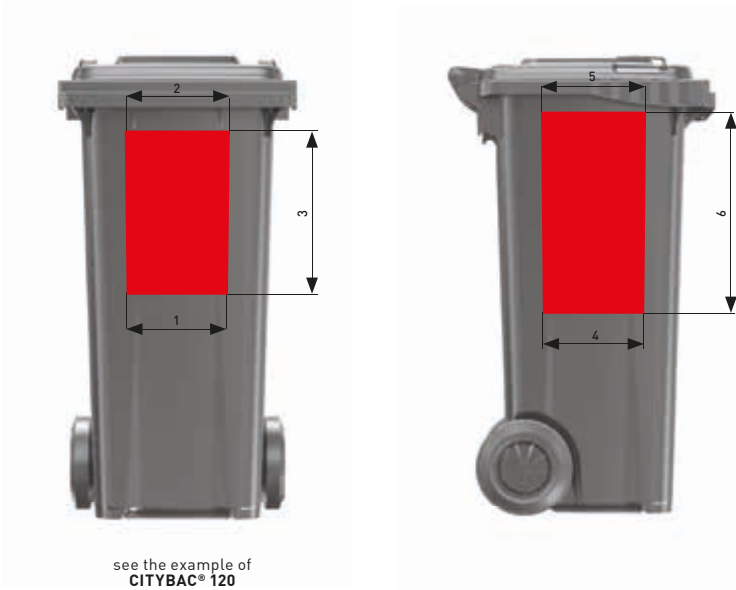
HOT FOIL STAMPING - ONE COLOUR



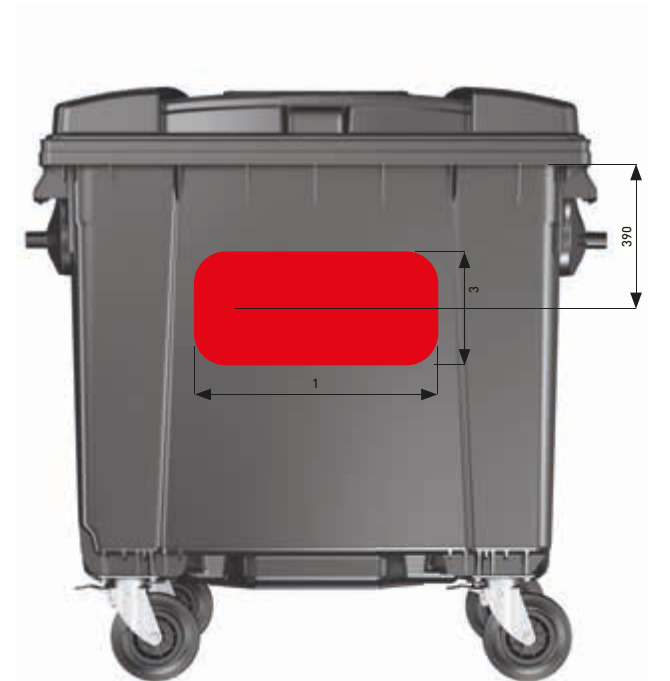
	CITYBAC® 120	CITYBAC® 240	CITYBAC® 360	CITYBAC® 1100 FL	CITYBAC® 1100 RL	CITYBAC® Classic 60	CITYBAC® Classic 80	CITYBAC® Classic 120	CITYBAC® Classic 140	CITYBAC® Classic 240	CITYBAC® Classic 660	CITYBAC® Classic 770	CITYBAC® Classic 1100 FL	CITYBAC® Classic 1100 RL
A Width ~	250	250	160	520	520	220	240	250	160	250	550	550	520	520
B Height ~	240	240	90	290	290	240	240	240	90	240	460	460	290	290

The logo or lettering to be embossed must always be aligned over the centre axis of the embossing field!

STICKER - PLANE AREAS



see the example of
CITYBAC® 120



see the example of
CITYBAC® 1100 FL



see the example of
CITYBAC® CLASSIC 1100 FL

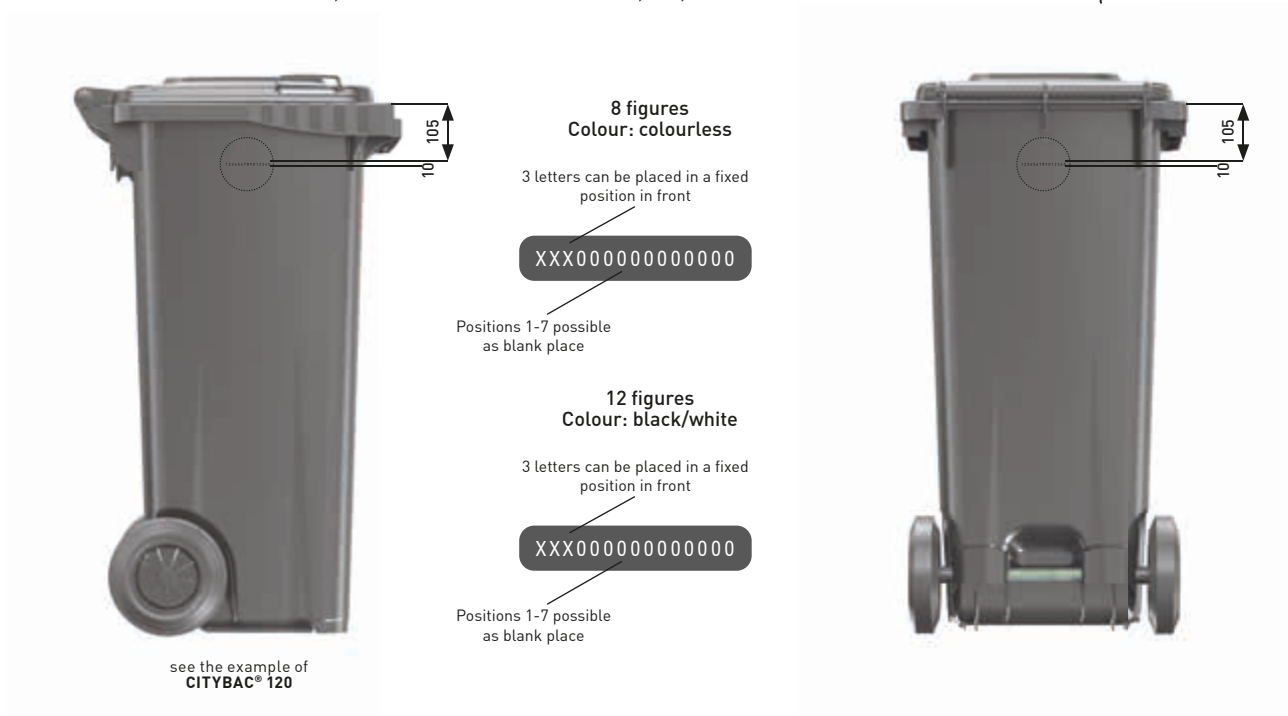
	CITYBAC® 120	CITYBAC® 240	CITYBAC® 1100 FL	CITYBAC® 1100 RL	CITYBAC® Classic 60	CITYBAC® Classic 80	CITYBAC® Classic 120	CITYBAC® Classic 140	CITYBAC® Classic 240	CITYBAC® Classic 360	CITYBAC® Classic 660	CITYBAC® Classic 770	CITYBAC® Classic 1100 FL	CITYBAC® Classic 1100 RL
1 Width -	240	240	450	450	240	240	270	200	350	275	700	700	580	580
2 Width -	250	250	-	-	260	270	300	200	370	275	-	-	-	-
3 Height -	250	250	450	450	400	550	570	200	660	310	540	540	280	280
4 Width -	240	240	-	-	240	240	270	-	370	-	350	350	350	500
5 Width -	250	250	-	-	260	270	300	-	440	-	-	-	-	-
6 Height -	250	250	-	-	450	620	620	-	660	-	540	540	300	300

Dimensions may vary due to production conditions.

Citybac® LABELLING

RUNNING NUMBERS

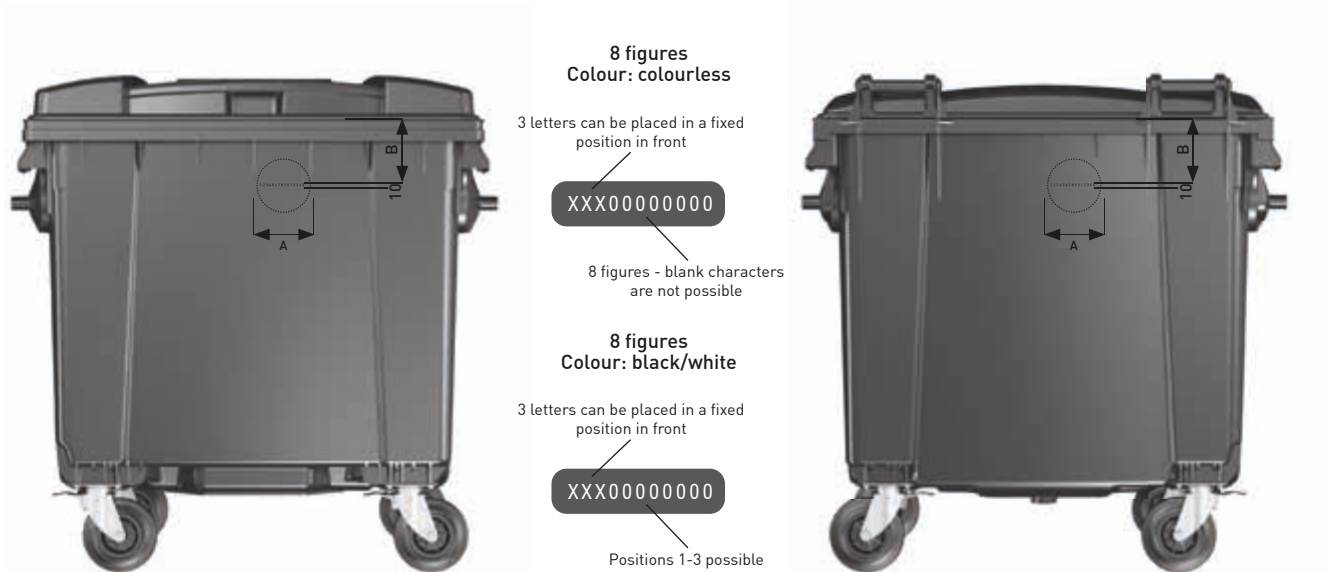
For CITYBAC® 120 and 240 , for CITYBAC® Classic 60, 80, 120 and 240 with Standard and Clip Lid



For CITYBAC® 240 and 360 with Silent Lid, for CITYBAC® Classic 140



For CITYBAC® 1100 FD/RD, for CITYBAC® Classic 1100 FL/RL



see the example of CITYBAC® 1100 FL

For CITYBAC® Classic 660 and 770



see the example of CITYBAC® CLASSIC 660 FL

	CITYBAC® 1100 FL	CITYBAC® 1100 RL	CITYBAC® Classic 660	CITYBAC® Classic 770	CITYBAC® Classic 1100 FL	CITYBAC® Classic 1100 RL
--	------------------	------------------	----------------------	----------------------	--------------------------	--------------------------

A Width ~	100	100	115	115	100	100
B Height ~	205	205	335	330	205	205

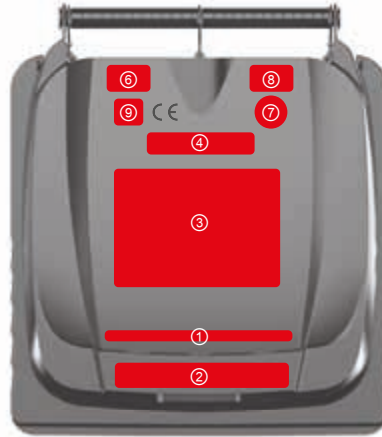
10 figures
Colour: Black or white
 2 letters can be placed in a fixed position in front
XX 123456 ZZ
 6 letters - running 2 letters - fixed

Citybac® LABELLING

MARKING AREAS



Standard Lid
see the example of
CITYBAC® 120



Clip Lid
see the example of
CITYBAC® 120



Silent Lid
see the example of
CITYBAC® 360

	Standard Lid 60 / 80	Standard Lid 120	Standard Lid 240	Clip Lid 60 / 80	Clip Lid 120	Clip Lid 240
① "NO HOT ASHES"* -	230 x 18	300 x 18	230 x 18	230 x 18	230 x 18	230 x 18
② Individual property marking* -	220 x 40	220 x 40	220 x 40	220 x 40	220 x 40	220 x 40
③ Marking area: Hot stamping or Sticker -	200 x 110	200 x 130	200 x 130	200 x 170	200 x 170	200 x 170
④ SULO logo or other company logo -	135 x 30	135 x 30	135 x 30	135 x 30	135 x 30	135 x 30
⑤ Dummy insert -	40 x 40	40 x 45	40 x 45	-	-	-
⑥ Sound power level (EG directive)-	40 x 40	40 x 45	40 x 45	35 x 40	35 x 40	35 x 40
⑦ Qualitymark-	40 x 40	40 x 45	40 x 45	Ø 40	Ø 40	Ø 40
⑧ Year -	40 x 40	40 x 45	40 x 45	55 x 30	55 x 30	55 x 30
⑨ Nominal volume -	-	-	-	55 x 30	55 x 30	55 x 30

	Design Lid 140	Silent Lid 240	Silent Lid 360
① Hot foil stamping -	160 x 90	160 x 90	160 x 90
② Hot foil stamping -	Ø 57	Ø 57	Ø 57
③ Marking area: Sticker -	195 x 310	180 x 290	275 x 310
④ Embossing insert -	168 x 88	168 x 88	168 x 88
⑤ Embossing insert -	65 x 65	70 x 70	80 x 80
⑥ SULO logo or other company logo -	65 x 65	70 x 70	80 x 80

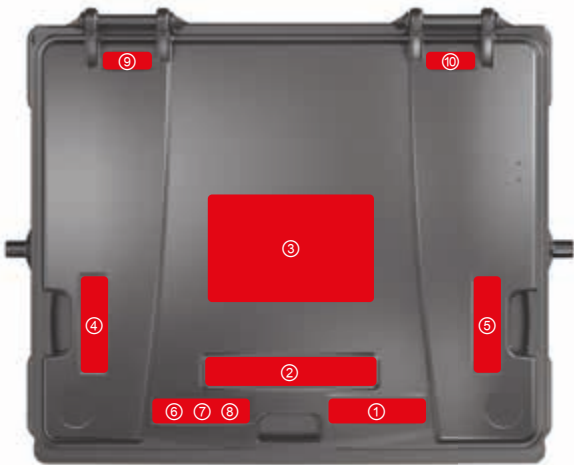
*Standard font is Swis721BT.

Sample text in Swis721BT

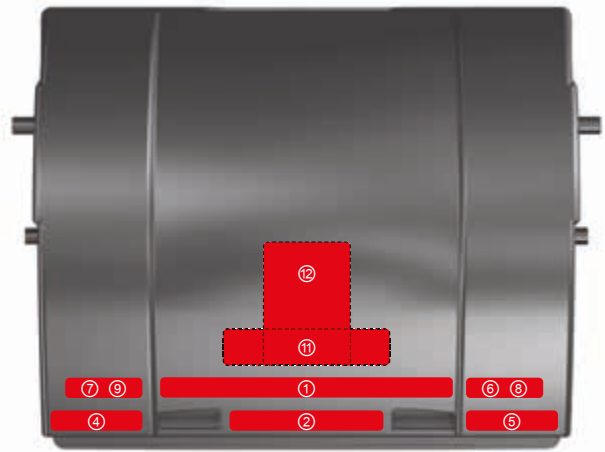
AaBbCc123

Usage of other fonts is possible

Please leave 5 mm free space all around for layouts. All corner radius are 5 mm.

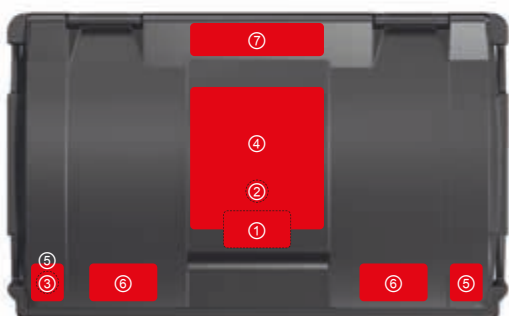


Flat Lid
see the example of
CITYBAC® 1100 FL



Dome Lid
see the example of
CITYBAC® 1100 RL

	Flat Lid 1100	Dome Lid 1100
① "NO HOT ASHES"* -	229 x 60	688 x 41
② Individual property marking* -	389 x 57	389 x 57
③ Marking area: Hot stamping or Sticker -	300 x 200	-
④ SULO logo or other company logo -	225 x 56	226 x 57
⑤ Dummy insert -	225 x 56	226 x 57
⑥ Year -	summarized dimension	159 x 57
⑦ Nominal volume		159 x 57
⑧ Sound power level (EG directive) -	228 x 60	159 x 57
⑨ Qualitymark - (text readable from behind)	119 x 41	159 x 57
⑩ Dummy insert - (text readable from behind)	119 x 41	-
⑪ Screen printing (one colour)	-	400 x 100
⑫ Screen printing (one colour)	-	215 x 265



**Flat Lid
660/770**

① Hot foil stamping -	160 x 90
② Hot foil stamping -	Ø 57
③ Hot foil stamping -	Ø 57
④ Marking area: Sticker -	275 x 310
⑤ Embossing insert -	40 x 45
⑥ Embossing insert -	168 x 88
⑦ SULO logo or other company logo -	275 x 75

Citybac[®] LABELLING

RUNNING NUMBERS

For CITYBAC[®] 120 and 240 , for CITYBAC[®] Classic 60, 80, 120 and 240 with Standard and Clip Lid



Standard Lid
see the example of
CITYBAC[®] 120

8 figures
Colour: colourless

3 letters can be placed in a fixed position in front

XXX000000000000

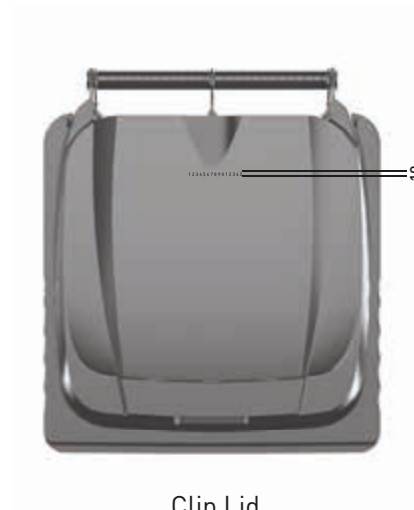
Positions 1-7 possible as blank place

12 figures
Colour: black/white

3 letters can be placed in a fixed position in front

XXX000000000000

Positions 1-7 possible as blank place



Clip Lid
see the example of
CITYBAC[®] 120

For CITYBAC[®] 240 and 360 with Silent Lid, for CITYBAC[®] Classic 140



Silent Lid
see the example of
CITYBAC[®] 360

10 figures
Colour: Black or white


2 letters can be placed in a fixed position in front

XX 123456 ZZ

6 letters - running

2 letters - fixed

For CITYBAC® 1100 FL/RL, for CITYBAC® Classic 1100 FL/DL



Flat Lid
see the example of
CITYBAC® 1100 FD

8 figures
Colour: colourless

3 letters can be placed in a fixed position in front

XXX0000000

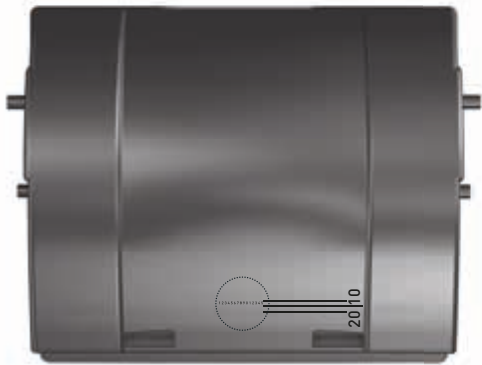
8 figures - blank characters are not possible

8 figures
Colour: black/white

3 letters can be placed in a fixed position in front

XXX0000000

Positions 1-3 possible as blank place



Dome Lid
see the example of
CITYBAC® 1100 RD

For CITYBAC® Classic 660 and 770



Flat Lid
see the example of
CITYBAC® CLASSIC 660

10 figures
Colour: Black or white

2 letters can be placed in a fixed position in front

XX 123456 ZZ

6 letters - running 2 letters - fixed



SULO

A photograph of a modern building with a tree and a bush in the foreground, with a red banner at the bottom containing the text 'CITYBAC®'. The scene is captured during the golden hour, with warm sunlight filtering through the leaves. The building has a light-colored facade and large windows. The tree has a thick trunk and dense green foliage. The bush is a large, rounded shrub with vibrant green leaves. The foreground shows a paved area with square tiles.

CITYBAC®

A new approach to MGB

CITYBAC®

CITYBAC® continues the long tradition of quality SULO bins. The new generation has been specially designed for the requirements of the modern circular economy. Maximum eco-friendliness, ergonomic characteristics and longevity – the ideal situation for ecologically minded municipalities and companies.

Enjoy proven SULO quality in its most sustainable form.

INNOVATION IN ALL RESPECTS

ECO design – the innovative CITYBAC® design with a weight-reduced body lowers material consumption and is the answer to the growing demand for resource-conserving solutions.

Transport – thanks to their optimised geometry, CITYBAC® bins can be stacked in a more space-saving manner and up to 20 % more bins can be transported in one vehicle.

Ergonomics – the controlled weight reduction lowers maintenance work and considerably reduces the strain placed on collection personnel.

CITYBAC®



Citybac® 120

38-41



Citybac® 240

42-45



Citybac® 360

46-49



Citybac® 1100 FD

52-57



Citybac® 1100 RD

58-61



NEW

CITYBAC® 1100
with ergonomic
lid in lid (p.52)

Citybac® 120L

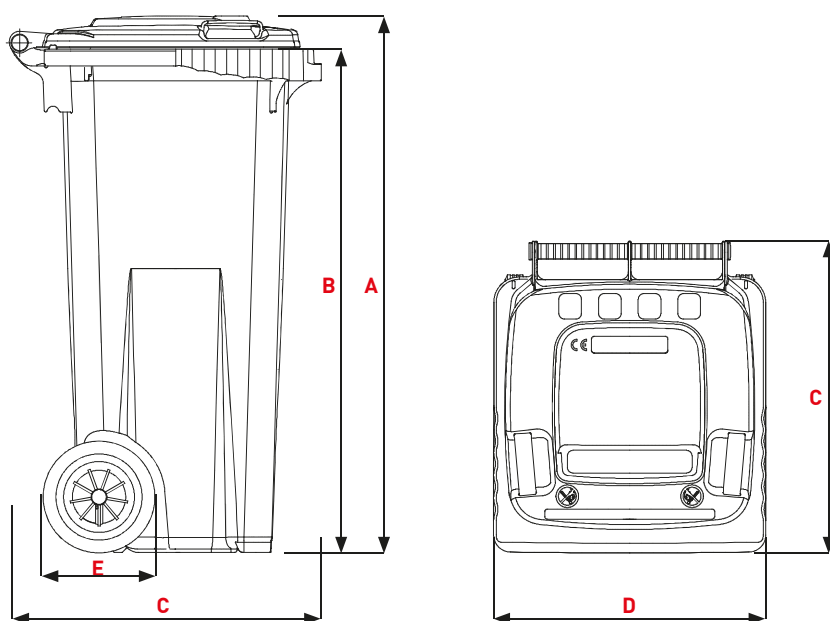
PRODUCT DETAILS



- 1 Standard Lid
- 2 Handles 2x
- 3 Lid rivet 2x
- 4 Marking areas

- A Body reinforced with beads
- B Continuous handle bar
- C DIN comb lifting system, double stage
- D SULO sticker / Marking areas
- E External wheels
- F Chip nest as standard
- G Lateral grip surfaces with wave profile



**STANDARD LID****Dimensions (mm)**

A Height total ~	944
B Comb height ~	889
C Bin depth ~	558
D Width total ~	480
E Wheel diameter ~	200

Weights

Tubular axle	
Nominal volume (L)	120
Empty weight (kg) ~	7,2
Max. filling weight(kg) ~	48
Max. total weight (kg) ~	60

CLIP LID**Dimensions (mm)**

A Height total ~	954
B Comb height ~	889
C Bin depth ~	558
D Width total ~	480
E Wheel diameter ~	200

Weights

Tubular axle	
Nominal volume (L)	120
Empty weight (kg) ~	7,2
Max. filling weight(kg) ~	48
Max. total weight (kg) ~	60

Dimensions may vary due to production conditions. The specified empty weights are rounded average based on the standard specifications. The actual weight may be different as a result of production conditions and specifications.

Citybac® 120L

PRODUCT DETAILS

COLOURING

Bin bodies made from 100 % recycled material with a minimum of 60 % post-consumer recycled material.



Perfectly set in scene with coloured **lids** for fraction identification



GREY
RAL
7021
AT



GREEN
RAL
6011
VJ



BROWN
RAL
8025
MR



BLUE
RAL
5023
BN



YELLOW
RAL
1018
JA



RED
RAL
3001
RN

ALTERNATIVE COLOURS FOR THE BIN BODY



GREEN
RAL
6011
VJ

ECO FRIENDLY



BROWN
RAL
8025
MR

ECO FRIENDLY



BLUE
RAL
5023
BN

ECO FRIENDLY



YELLOW
RAL
1018
JA

ECO FRIENDLY

Colours may vary due to production. The colour values given according to RAL are guide colours.

FRACTION MARKING



Clip available in the colours



Label for Clip Lid, individual printing possible

LID SLOT SYSTEMS

Glass



Round slot with rubber rosette
Ø 150 mm

Paper



Opening Slots
250 x 30 mm

NOISE REDUCTION SYSTEMS



Lid Opening Noise Reduction



Lid closing damper

WHEELS



Ø 200 mm Wheel

LOCKING SYSTEMS



Triangular Locks



Padlock Fixtures



Cylinder lock with automatic function



Cylinder lock without automatic function

Citybac® 240L

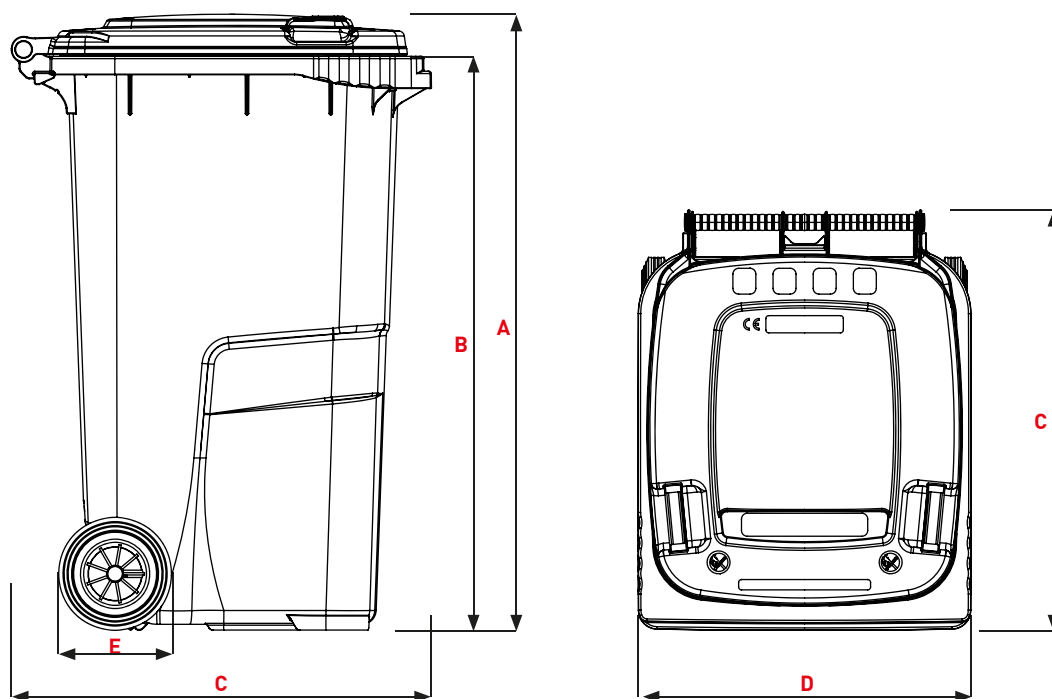
PRODUCT DETAILS



- 1 Standard Lid
- 2 Handles 2x
- 3 Lid rivet 2x
- 4 Marking areas

- A Body reinforced with beads
- B Continuous handle bar (split handle option production specific)
- C DIN comb lifting system, double stage
- D SULO sticker / Marking areas
- E External wheels
- F Chip nest as standard
- G Lateral grip surfaces with wave profile





STANDARD LID

Dimensions (mm)

A Height total ~	1068
B Upper comb edge ~	998
C Bin depth ~	734
D Width total ~	583
E Wheel diameter ~	200

Weights

Tubular axle	
Nominal volume (L)	240
Empty weight (kg) ~	10,2
Max. filling weight (kg) ~	96
Max. total weight (kg) ~	110

CLIP LID

Dimensions (mm)

A Height total ~	1077
B Upper comb edge ~	998
C Bin depth ~	734
D Width total ~	583
E Wheel diameter ~	200

Weights

Tubular axle	
Nominal volume (L)	240
Empty weight (kg) ~	10,2
Max. filling weight (kg) ~	96
Max. total weight (kg) ~	110

SILENT LID

Dimensions (mm)

A Height total ~	1050
B Upper comb edge ~	998
C Bin depth ~	734
D Width total ~	583
E Wheel diameter ~	200

Weights

Tubular axle	
Nominal volume (L)	240
Empty weight (kg) ~	10,2
Max. filling weight (kg) ~	96
Max. total weight (kg) ~	110

Dimensions may vary due to production conditions. The specified empty weights are rounded average based on the standard specifications. The actual weight may be different as a result of production conditions and specifications.

Citybac® 240L

PRODUCT DETAILS

COLOURING

Bin bodies made from 100 % recycled material with a minimum of 60 % post-consumer recycled material.



Perfectly set in scene with coloured **lids** for fraction identification



GREY
RAL
7021
AT



GREEN
RAL
6011
VJ



BROWN
RAL
8025
MR



BLUE
RAL
5023
BN



YELLOW
RAL
1018
JA



RED
RAL
3001
RN

ALTERNATIVE COLOURS FOR THE BIN BODY



GREEN
RAL
6011
VJ

ECO FRIENDLY

■ ■ ■ ■ ■



BROWN
RAL
8025
MR

ECO FRIENDLY

■ ■ ■ ■ ■



BLUE
RAL
5023
BN

ECO FRIENDLY

■ ■ ■ ■ ■



YELLOW
RAL
1018
JA

ECO FRIENDLY

■ ■ ■ ■ ■

Colours may vary due to production. The colour values given according to RAL are guide colours.

FRACTION MARKING



Clip available in the colours



Label for Clip Lid, individual printing possible

LID SLOT SYSTEMS

Glass



Round slot with rubber rosette
Ø 150 mm

Paper



Opening Slots above
300 x 60 mm



Paper Inlet Hood
BLUE

NOISE REDUCTION SYSTEMS



Lid Opening Noise Reduction



Lid closing damper

WHEELS



Ø 200 mm Wheel

LOCKING SYSTEMS



Triangular Locks



Padlock Fixtures



Cylinder lock with automatic function



Cylinder lock without automatic function

Citybac® 360L

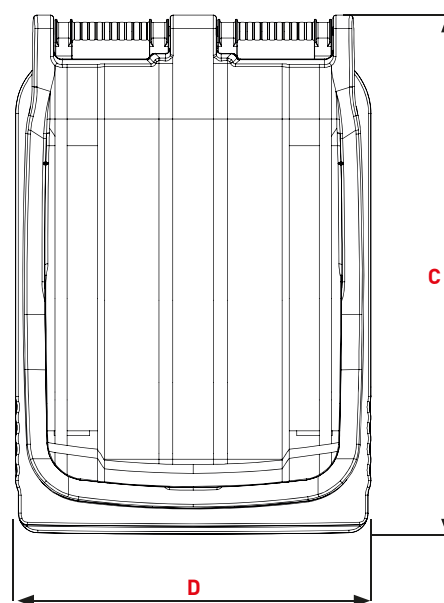
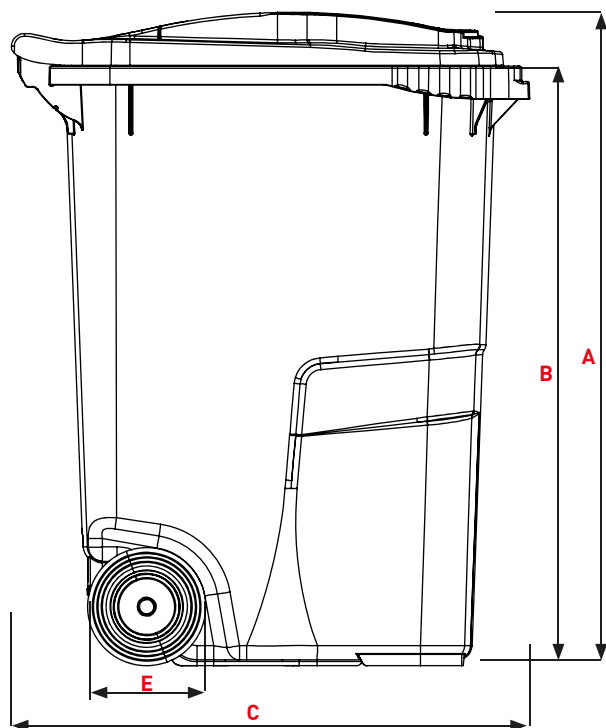
PRODUCT DETAILS



- 1 Design Lid
- 2 3-sided all-round handle strip
- 3 Marking areas

- A Body
- B Handle bar
- C DIN comb lifting system, double stage
- D Marking areas
- E External wheels
- F Chip nest as standard
- G Lateral grip surfaces





SILENT LID

Dimensions (mm)

A Height total ~	1105
B Comb height ~	1015
C Bin depth ~	877
D Width total ~	601
E Wheel diameter ~	200

Weights

Nominal volume (L)	360
Empty weight (kg) ~	12,3
Max. filling weight (kg) ~ EN 840 Norm	144
Max. total weight (kg) ~	160

Dimensions may vary due to production conditions. The specified empty weights are rounded average based on the standard specifications. The actual weight may be different as a result of production conditions and specifications.

Citybac® 360L

PRODUCT DETAILS

COLOURING



ANTHRACITE GREY
RAL 7021
AT

CIRCULAR ECO
■■■■■

Bin bodies made of up to 100 % post-consumption recycle. We are able to achieve an average share of 70 % domestic recycle (packaging, caps) and 30 % nondomestic (bins, industrial scrap, pallets)



RAL 7021



RAL 6011



RAL 8025



RAL 5023



RAL 1018



RAL 3000

ALTERNATIVE COLOURS FOR THE BIN BODY



GREEN
RAL
6011
VJ

CIRCULAR ECO
■■■■■



BROWN
RAL
8025
MR

CIRCULAR ECO
■■■■■



BLUE
RAL
5023
BN

CIRCULAR ECO
■■■■■



YELLOW
RAL
1018
JA

CIRCULAR ECO
■■■■■

Citybac® 360L

PRODUCT DETAILS

COLOURING



ANTHRACITE GREY
RAL 7021
AT

CIRCULAR ECO 


Bin bodies made of up to 100 % post-consumption recycle. We are able to achieve an average share of 70 % domestic recycle (packaging, caps) and 30 % nondomestic (bins, industrial scrap, pallets)



RAL 7021



RAL 6011



RAL 8025



RAL 5023



RAL 1018



RAL 3000

ALTERNATIVE COLOURS FOR THE BIN BODY



GREEN
RAL
6011
VJ

CIRCULAR ECO 




BROWN
RAL
8025
MR

CIRCULAR ECO 




BLUE
RAL
5023
BN

CIRCULAR ECO 

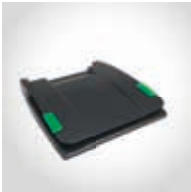



YELLOW
RAL
1018
JA

CIRCULAR ECO 


+ OPTIONS

FRACTION MARKING



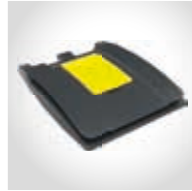
Clip available in the colours



Label for Silent and Design Lid, individual printing possible

LID SLOT SYSTEMS

Packaging



Lid-in-Lid, small Lid always in **Yellow** RAL 1018

Glass



Round slot with rubber rosette Ø 150 mm, lock or bolt required

Paper



Paper hood for newspapers and magazines in **Blue** RAL 5023



Slot for confidential paper

NOISE REDUCTION



Plastic damper spring for the wheels

WHEELS



Solid rubber Ø 200 mm wheels



Solid rubber Ø 300 mm wheels

LOCKING SYSTEMS



Automatic lock with triangular key



Automatic lock with individual key



Manual lock with individual key



Manual lock with triangular key

Citybac® 2-Wheel

TECHNICAL INFORMATION

	120 LITRE	240 LITRE	360 LITRE
MATERIAL OPTIONS			
Extra UV protection	■	■	■
COLOURS			
Standard colours	■	■	■
Other colours	■	■	■
LID SYSTEMS			
Standard Lid	■	■	
Clip Lid (EURO2)	■	■	
Silent Lid	-	■	■
Label for Silent and Clip Lid, individual printing possible	■	■	
LIFTING SYSTEMS			
EN 840 / DIN Comb	■	■	■
LID SLOT SYSTEMS			
Glass			
Round slot with rubber rosette Ø 150 mm	■	■	■
Paper			
Opening Slots 250 x 30 mm	■		
Opening Slots 300 x 30 mm			
Opening Slots 300 x 60 mm		■	■
Paper Inlet Hood Blue		■	■
Packaging			
Lid in Lid (LiL) Yellow			■
NOISE REDUCTION SYSTEMS			
Lid opening noise reduction	■	■	■
Lid closing damper	■	■	■
CHASSIS			
Tubular axle	■	■	■
Full axle	■	■	■
WHEELS			
Ø 200 mm	■	■	■
Ø 250 mm			■

	120 LITRE	240 LITRE	360 LITRE
LOCKING SYSTEMS			
Padlock device 1x	■	■	■
Triangular Locks			
with open position	■	■	■
without open position	■	■	■
Cylinder lock without automatic function			
same key locking	■	■	■
group key locking	■	■	■
different key locking	■	■	■
Cylinder lock with automatic function			
same key locking	■	■	■
group key locking	■	■	■
different key locking	■	■	■
CHIP INSTALLATION			
RFID chip, installation without barcode sticker	■	■	■
RFID chip, installation with barcode sticker	■	■	■
RFID CHIP			
Transponder 134kHz HDX + HID Inlay casted	■	■	■
Transponder 134kHz FDX casted	■	■	■
Transponder 134kHz FDX riveted	■	■	■
Transponder 134kHz HDX + glass	■	■	■
Transponder 125kHz FDX casted	■	■	■
Transponder 125kHz FDX riveted	■	■	■
Transponder 13,56 MHz	■	■	■
LABELLING			
Body			
SULO sticker	■	■	
Customer sticker	■	■	■
Hot foil stamping	■	■	■
Running numbers (colourless / black / white)	■	■	■
Lid			
Hot foil stamping	■	■	■
Running numbers (colourless / black / white)	■	■	■
Embossing insert	■	■	■
Print on Clip (Clip Lid)	■	■	■

■ Standard
■ Option

Citybac® 1100L Flat Lid

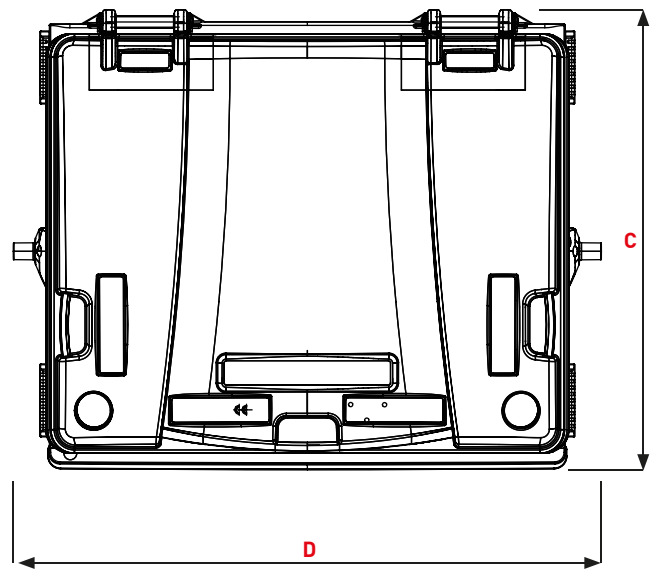
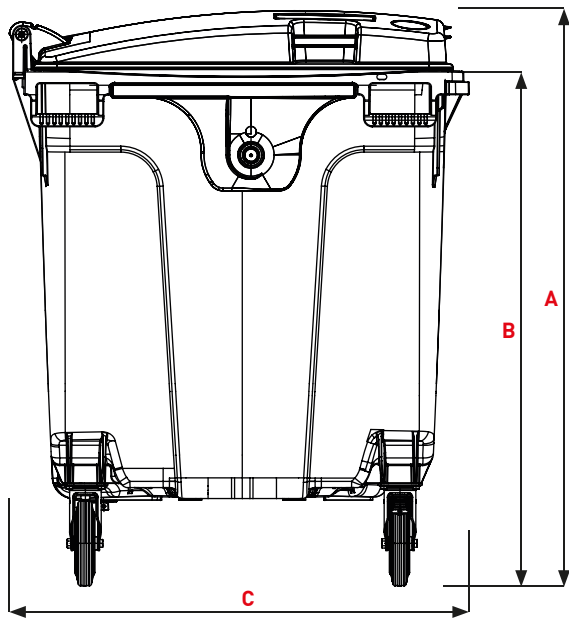
PRODUCT DETAILS



- 1 Flat Lid
- 2 Handle / recessed grip
- 3 Lid handles lateral 2x
- 4 Handles with handle bar, rear 2x
- 5 Marking areas

- A Body reinforced with beads
- B DIN comb lifting system, double stage
- C Stacking ribs
- D SULO sticker / Marking areas
- E Ergonomic handles lateral 4x
- F Chip nest as standard
- G Lifting trunnion
- H Functional castors 2x
- I Double stop break 2x
- J Castors 2x





FLAT LID

Dimensions (mm)

A Height total ~	1330
B Upper comb edge ~	1205
C Bin depth ~	1075
D Width total ~	1370

Weights

Nominal volume (L)	1100
Empty weight (kg) ~	46
Max. filling weight(kg) ~	440
Max. total weight (kg) ~	510

FLAT LID WITH LID-IN-LID

Dimensions (mm)

A Height total ~	1330
B Upper comb edge ~	1205
C Bin depth ~	1075
D Width total ~	1370

Weights

Nominal volume (L)	1100
Empty weight (kg) ~	46
Max. filling weight(kg) ~	440
Max. total weight (kg) ~	510

Dimensions may vary due to production conditions. The specified empty weights are rounded average based on the standard specifications. The actual weight may be different as a result of production conditions and specifications.

Citybac® 1100L Flat Lid

PRODUCT DETAILS

COLOURING

Bin bodies made from 100 % recycled material with a minimum of 60 % post-consumer recycled material.



GREY
RAL 7021
AT

ECO FRIENDLY 

■ ■ ■ ■ ■

Perfectly set in scene with coloured **lids** for fraction identification



ALTERNATIVE COLOURS FOR THE BIN BODY



Colours may vary due to production. The colour values given according to RAL are guide colours.

+ OPTIONS

LID-IN-LID



front lid available
in the colours



Lid-in-Lid

LID SLOT SYSTEMS

Glass



Round slot with
rubber rosette
Ø 150 mm

Paper



Opening Slots
530 x 95 mm



Paper Inlet Hood
BLUE

LIFTING SYSTEMS



Fork lift device



Lifting trunnions



Lateral handles 2x

HANDLES

TRANSPORT



Towing system



Lid opening device,
foot execution



Lid Opening Noise
Reduction



Lid closing damper

LID OPENING

NOISE REDUCTION SYSTEMS

CHASSIS



Plastic rim,
Rubber wheel
Ø 200 mm



Plastic rim,
Rubber wheel
Ø 200 mm,
non-marking



Steel rim,
ball bearing,
Rubber wheel
Ø 200 mm



Double stop (DS)



Central locking
device (ZF)

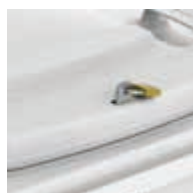


Steering lock

LOCKING SYSTEMS



Triangular Locks



Padlock Fixtures



Cylinder lock with
automatic function



Cylinder lock without
automatic function

The new ease of opening

LID IN LID

NEW!

SULO®

1100 LI

The 1100-litre lid-in-lid version enables substantially more comfortable opening and hence barrier-free use for people of any age group.

- A unique level of comfort and ergonomics
- Barrier-free opening from any position thanks to two handles on the front lid and side handles on the front and rear lid
- Unique slot size with a depth of 290 mm
- 50-litre bags of waste can be thrown in without any problems
- Greater safety for children playing
- No additional child safety device required



MARKING AREAS



Additional identification areas on the front and rear lid:

- Hot foil stamping
- Customer sticker
- Running numbers
- Embossing

Citybac® 1100L Dome Lid

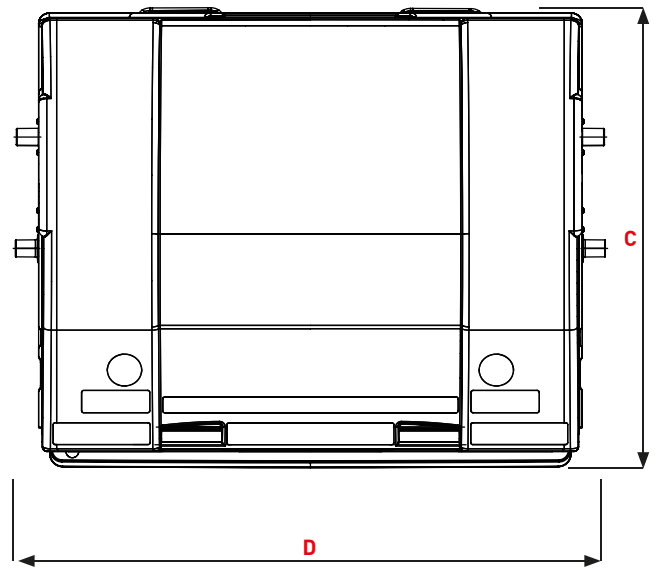
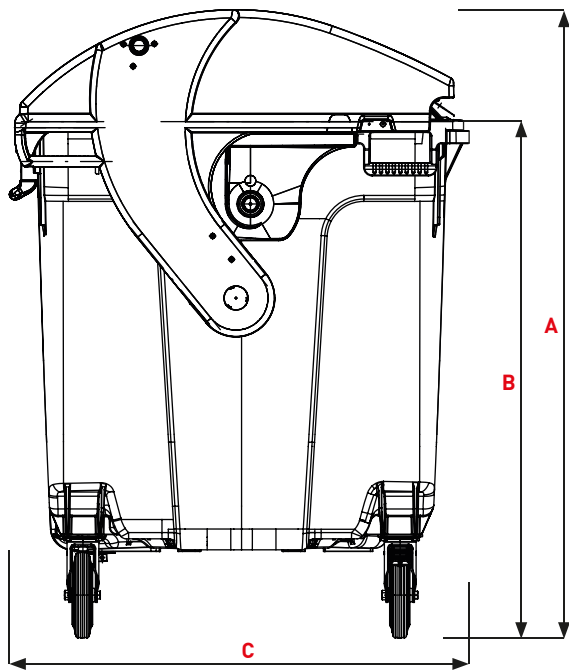
PRODUCT DETAILS



- 1 Dome Lid
- 2 Handle / recessed grip
- 3 Lid handles lateral 2x
- 4 Finger guard
- 5 Marking areas
- 6 Lid opening pegs 2x
- 7 Lid hinge 2x
- 8 Push-buttons to close the domed lid

- A Body reinforced with beads
- B DIN comb lifting system, double stage
- C Stacking ribs
- D SULO sticker / Marking areas
- E Ergonomic handles lateral 4x
- F Chip nest as standard
- G Lifting trunnion
- H Functional castors 2x
- I Double stop break 2x
- J Castors 2x





DOME LID

Dimensions (mm)

A Height total ~	1460
B Upper comb edge ~	1205
C Bin depth ~	1060
D Width total ~	1370

Weights

Nominal volume (L)	1100
Empty weight (kg) ~	54
Max. filling weight(kg) ~	440
Max. total weight (kg) ~	510

DOME LID WITH LID-IN-LID

Dimensions (mm)

A Height total ~	1460
B Upper comb edge ~	1205
C Bin depth ~	1060
D Width total ~	1370

Weights

Nominal volume (L)	1100
Empty weight (kg) ~	54
Max. filling weight(kg) ~	440
Max. total weight (kg) ~	510

Dimensions may vary due to production conditions. The specified empty weights are rounded average based on the standard specifications. The actual weight may be different as a result of production conditions and specifications.

Citybac® 1100L Dome Lid

PRODUCT DETAILS

COLOURING

Bin bodies made from 100 % recycled material with a minimum of 60 % post-consumer recycled material.



GREY
RAL 7021
AT
ECO FRIENDLY
■ ■ ■ ■ ■

Perfectly set in scene with coloured lids for fraction identification



GREY
RAL 7021
AT



GREEN
RAL 6011
VJ



BROWN
RAL 8025
MR



BLUE
RAL 5023
BN



YELLOW
RAL 1018
JA



ORANGE
RAL 2008
OF



RED
RAL 3001
RN

ALTERNATIVE COLOURS FOR THE BIN BODY



GREEN
RAL 6011
VJ

ECO FRIENDLY
■ ■ ■ ■ ■



BROWN
RAL 8025
MR

ECO FRIENDLY
■ ■ ■ ■ ■



BLUE
RAL 5023
BN

ECO FRIENDLY
■ ■ ■ ■ ■



YELLOW
RAL 1018
JA

ECO FRIENDLY
■ ■ ■ ■ ■

Colours may vary due to production. The colour values given according to RAL are guide colours.

+ OPTIONS

LID-IN-LID



front lid available
in the colours



Lid-in-Lid

LID SLOT SYSTEMS

Glass



2x Round slot with
rubber rosette
Ø 150 mm

Paper



Opening slot
530 x 95 mm



Paper Inlet Hood
BLUE

LIFTING SYSTEMS



Fork lift device



Lifting trunnions



Lateral handles 2x



Rear handles
2x

HANDLES

TRANSPORT



Towing system

LID OPENING



Lid opening device,
foot execution

NOISE REDUCTIONS SYSTEMS



Lid Opening Noise
Reduction



Lid closing damper

CHASSIS



Plastic rim,
Rubber wheel
Ø 200 mm



Plastic rim,
Rubber wheel
Ø 200 mm,
non-marking



Steel rim,
ball bearing,
Rubber wheel
Ø 200 mm



Double stop (DS)



Central locking
device (ZF)



Steering lock

LOCKING SYSTEMS



Triangular Locks



Padlock Fixtures



Cylinder lock with
automatic function



Cylinder lock without
automatic function

Citybac® 4-Wheel

TECHNICAL INFORMATION

	1.100 LITRE FL	1.100 LITRE DL
MATERIAL OPTIONS		
Extra UV protection	■	■
COLOURS		
Standard colours	■	■
Other colours	■	■
LID SYSTEMS		
Flat lid	■	
Flat lid with Lid-in-Lid (LiL)	■	
Dome lid		■
Dome lid with Lid-in-Lid (LiL)		■
LIFTING SYSTEMS		
EN 840 / DIN Comb	■	■
Lifting trunnions	■	■
Lifting handles 2x	■	■
Rear handles		■
Fork lift device	■	■
WATER DRAIN		
Water drain	■	■
Without water drain	■	■
TRANSPORT		
Towing system with or without bar	■	■
LID SLOT SYSTEMS		
Glass		
2 x Round slot with rubber rosette Ø 150 mm	■	■
Paper		
Opening slot: 530 x 95 mm	■	■
Paper Inlet Hood Blue	■	■
LID OPENING		
Lid opening device, foot execution	■	■
NOISE REDUCTIONS SYSTEMS		
Lid opening noise reduction	■	■
Lid closing damper	■	■
CHILD SAFETY		
Comfort		■
Basic		■
Light		■

CHASSIS

Plastic rim, Rubber wheel Ø 200 mm	■	■
Plastic rim, Rubber wheel Ø 200 mm, non-marking	■	■
Steel rim, ball bearing	■	■
Castor	■	■
Double stop (DS)	■	■
Central locking device (ZF)	■	■
Steering lock	■	■

LOCKING SYSTEMS

Padlock device 1x	■	
Padlock device 2x	■	■

Triangular Lock

with open position	■	■
without open position	■	■

Cylinder lock without automatic function

same key locking	■	■
group key locking	■	■
different key locking	■	■

Cylinder lock with automatic function

same key locking	■	■
group key locking	■	■
different key locking	■	■

CHIP INSTALLATION

RFID chip, installation without barcode sticker	■	■
RFID chip, installation with barcode sticker	■	■

RFID CHIP

Transponder 134kHz HDX + HID Inlay casted	■	■
Transponder 134kHz FDX casted	■	■
Transponder 134kHz FDX riveted	■	■
Transponder 134kHz HDX + glass	■	■
Transponder 125kHz FDX casted	■	■
Transponder 125kHz FDX riveted	■	■
Transponder 13,56 MHz	■	■

LABELLING**Body**

SULO sticker	■	■
Customer sticker	■	■
Hot foil stamping	■	■
Running numbers (colourless / black / white)	■	■

Lid

SULO sticker	■	■
Screen printing		■
Hot foil stamping	■	■
Running numbers (colourless / black / white)	■	■
Embossing insert	■	■

■ Standard
■ Option



SULO®

SULO

A photograph of a modern building with a large, dense green hedge in the foreground. The building has a light-colored facade and large windows. The scene is set outdoors on a paved walkway. A red rectangular box is overlaid on the bottom right of the image, containing the text "CITYBAC® CLASSIC" in white, bold, sans-serif font.

CITYBAC®
CLASSIC

The entire range of proven SULO quality

CITYBAC[®] CLASSIC

SULO bins are famous throughout the world for their particular longevity and robustness. In many countries, the name SULO is synonymous with refuse bins. To ensure that the entire bandwidth of SULO bin volumes worldwide is available without limitations, we have created the optimal prerequisite through our CITYBAC[®] Classic series: resource-conserving thanks to production from high-quality recyclate and proven a million times over due to its classic design.

Welcome home

- Bins in a proven, classic design
- Broad range of colours and unlimited combinations
- Precision production from high-quality HDPE recyclate
- Rot-proof, resistant to moisture, cold, heat, chemicals
- Fully recyclable

CITYBAC® CLASSIC



Citybac® Classic 60

68-71



Citybac® Classic 80

72-75



Citybac® Classic 120

76-79



Citybac® Classic 140

80-83



Citybac® Classic 240

84-87



Citybac® Classic 660

90-93



Citybac® Classic 770

94-97



Citybac® Classic 1100 FD

98-101



Citybac® Classic 1100 RD

102-105

Citybac® Classic 60L

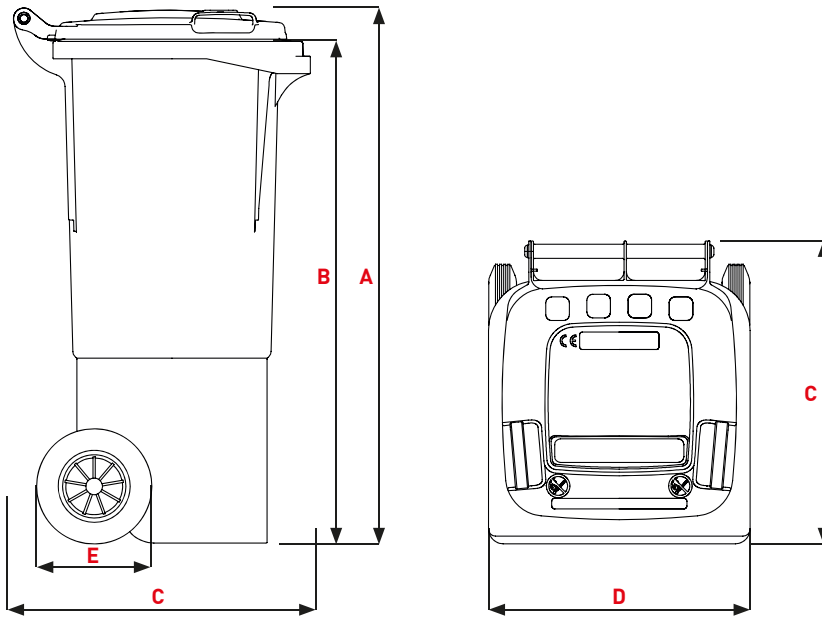
PRODUCT DETAILS



- 1 Standard Lid
- 2 Handles 2x
- 3 Lid rivet 2x
- 4 Marking areas

- A Body
- B Continuous handle bar
- C DIN comb lifting system, double stage
- D SULO sticker / Marking areas
- E External wheels
- F Chip nest as standard
- G Lateral grip surfaces with wave profile





STANDARD LID

Dimensions (mm)

A Height total ~	925
B Comb height ~	871
C Bin depth ~	516
D Width total ~	445
E Wheel diameter ~	200

Weights

Tubular axle	
Nominal volume (L)	60
Empty weight (kg) ~	8,5
Max. filling weight(kg) ~	24
Max. total weight (kg) ~	50

CLIP LID

Dimensions (mm)

A Height total ~	932
B Comb height ~	871
C Bin depth ~	518
D Width total ~	445
E Wheel diameter ~	200

Weights

Tubular axle	
Nominal volume (L)	60
Empty weight (kg) ~	8,5
Max. filling weight(kg) ~	24
Max. total weight (kg) ~	50

Dimensions may vary due to production conditions. The specified empty weights are rounded average based on the standard specifications. The actual weight may be different as a result of production conditions and specifications.

Citybac® Classic 60L

PRODUCT DETAILS

COLOURING

Bin bodies made from 100 % recycled material with a minimum of 60 % post-consumer recycled material.



Perfectly set in scene with coloured **lids** for fraction identification



GREY
RAL
7021
AT



GREEN
RAL
6011
VJ



BROWN
RAL
8025
MR



BLUE
RAL
5023
BN



YELLOW
RAL
1018
JA



RED
RAL
3001
RN

ALTERNATIVE COLOURS FOR THE BIN BODY



GREEN
RAL
6011
VJ

ECO FRIENDLY

■ ■ ■ ■ ■



BROWN
RAL
8025
MR

ECO FRIENDLY

■ ■ ■ ■ ■



BLUE
RAL
5023
BN

ECO FRIENDLY

■ ■ ■ ■ ■



YELLOW
RAL
1018
JA

ECO FRIENDLY

■ ■ ■ ■ ■

Colours may vary due to production. The colour values given according to RAL are guide colours.

FRACTION MARKING



Clip available in the colours



Label for Clip Lid, individual printing possible

BIO-FILTER LID



Lid available in the colours



Bio-filter lid - with active bio-filter material

NOISE REDUCTION SYSTEMS



Lid Opening Noise Reduction



Lid closing damper

WHEELS



Ø 200 mm Wheel



Ø 250 mm Wheel



Triangular Locks



Padlock Fixtures



Cylinder lock with automatic function



Cylinder lock without automatic function

LOCKING SYSTEMS

Citybac® Classic 80L

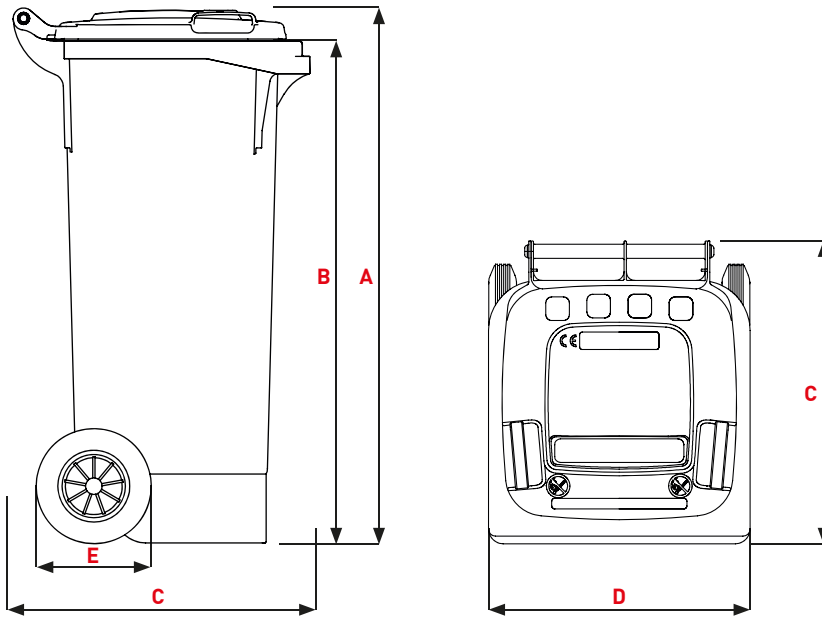
PRODUCT DETAILS



- 1 Standard Lid
- 2 Handles 2x
- 3 Lid rivet 2x
- 4 Marking areas

- A Body
- B Continuous handle bar
- C DIN comb lifting system, double stage
- D SULO sticker / Marking areas
- E External wheels
- F Chip nest as standard
- G Lateral grip surfaces with wave profile





STANDARD LID

Dimensions (mm)

A Height total ~	925
B Comb height ~	871
C Bin depth ~	516
D Width total ~	445
E Wheel diameter ~	200

Weights

Tubular axle	
Nominal volume (L)	80
Empty weight (kg) ~	8,3
Max. filling weight (kg) ~	24
Max. total weight (kg) ~	50

CLIP LID

Dimensions (mm)

A Height total ~	935
B Comb height ~	871
C Bin depth ~	518
D Width total ~	445
E Wheel diameter ~	200

Weights

Tubular axle	
Nominal volume (L)	80
Empty weight (kg) ~	8,3
Max. filling weight (kg) ~	32
Max. total weight (kg) ~	50

Dimensions may vary due to production conditions. The specified empty weights are rounded average based on the standard specifications. The actual weight may be different as a result of production conditions and specifications.

Citybac® Classic 80L

PRODUCT DETAILS

COLOURING

Bin bodies made from 100 % recycled material with a minimum of 60 % post-consumer recycled material.



Perfectly set in scene with coloured **lids** for fraction identification



GREY
RAL
7021
AT



GREEN
RAL
6011
VJ



BROWN
RAL
8025
MR



BLUE
RAL
5023
BN



YELLOW
RAL
1018
JA



RED
RAL
3001
RN

ALTERNATIVE COLOURS FOR THE BIN BODY



GREEN
RAL
6011
VJ

ECO FRIENDLY

■ ■ ■ ■ ■



BROWN
RAL
8025
MR

ECO FRIENDLY

■ ■ ■ ■ ■



BLUE
RAL
5023
BN

ECO FRIENDLY

■ ■ ■ ■ ■



YELLOW
RAL
1018
JA

ECO FRIENDLY

■ ■ ■ ■ ■

Colours may vary due to production. The colour values given according to RAL are guide colours.

FRACTION MARKING



Clip available in the colours



Label for Clip Lid, individual printing possible

BIO-FILTER LID



Lid available in the colours



Bio-filter lid - with active bio-filter material

NOISE REDUCTION SYSTEMS



Lid Opening Noise Reduction



Lid closing damper

WHEELS



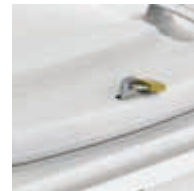
Ø 200 mm Wheel



Ø 250 mm Wheel



Triangular Locks



Padlock Fixtures



Cylinder lock with automatic function



Cylinder lock without automatic function

LOCKING SYSTEMS

Citybac® Classic 120L

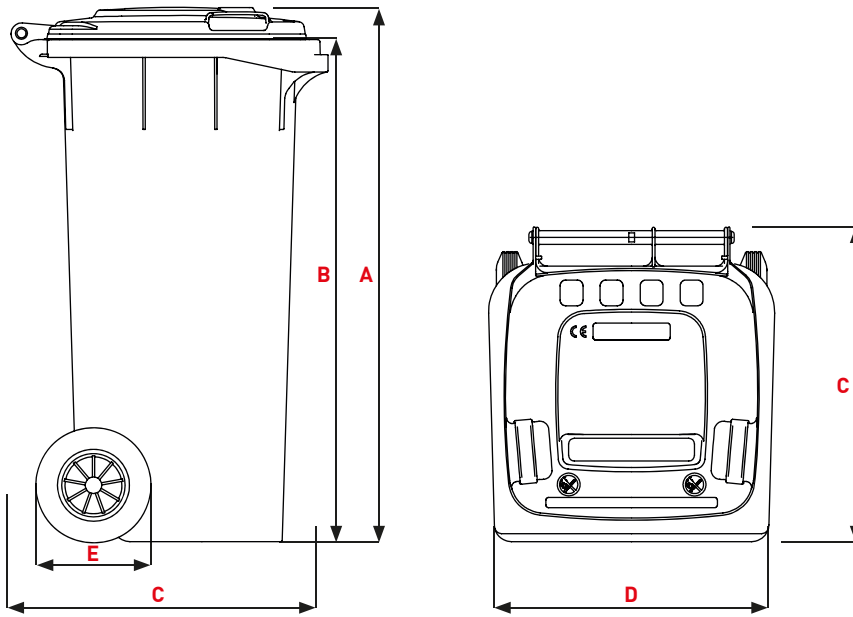
PRODUCT DETAILS



- 1 Standard Lid
- 2 Handles 2x
- 3 Lid rivet 2x
- 4 Marking areas

- A Body
- B Continuous handle bar
- C DIN comb lifting system, double stage
- D SULO sticker / Marking areas
- E External wheels
- F Chip nest as standard
- G Lateral grip surfaces with wave profile





STANDARD LID

Dimensions (mm)

A Height total ~	933
B Comb height ~	871
C Bin depth ~	550
D Width total ~	500
E Wheel diameter ~	200

Weights

Tubular axle	
Nominal volume (L)	120
Empty weight (kg) ~	8,9
Max. filling weight (kg) ~	48
Max. total weight (kg) ~	60

CLIP LID

Dimensions (mm)

A Height total ~	934
B Comb height ~	871
C Bin depth ~	550
D Width total ~	500
E Wheel diameter ~	200

Weights

Tubular axle	
Nominal volume (L)	120
Empty weight (kg) ~	8,9
Max. filling weight (kg) ~	48
Max. total weight (kg) ~	60

Dimensions may vary due to production conditions. The specified empty weights are rounded average based on the standard specifications. The actual weight may be different as a result of production conditions and specifications.

Citybac® Classic 120L

PRODUCT DETAILS

COLOURING

Bin bodies made from 100 % recycled material with a minimum of 60 % post-consumer recycled material.



Perfectly set in scene with coloured **lids** for fraction identification



GREY
RAL
7021
AT



GREEN
RAL
6011
VJ



BROWN
RAL
8025
MR



BLUE
RAL
5023
BN



YELLOW
RAL
1018
JA



RED
RAL
3001
RN

ALTERNATIVE COLOURS FOR THE BIN BODY



GREEN
RAL
6011
VJ

ECO FRIENDLY

■ ■ ■ ■ ■



BROWN
RAL
8025
MR

ECO FRIENDLY

■ ■ ■ ■ ■



BLUE
RAL
5023
BN

ECO FRIENDLY

■ ■ ■ ■ ■



YELLOW
RAL
1018
JA

ECO FRIENDLY

■ ■ ■ ■ ■

Colours may vary due to production. The colour values given according to RAL are guide colours.

FRACTION MARKING



Clip available in the colours



Label for Clip Lid, individual printing possible

BIO-FILTER LID



Lid available in the colours



Bio-filter lid - with active bio-filter material

LID SLOT SYSTEMS

Glass



Round slot with rubber rosette Ø 150 mm

Paper



Opening Slot 250 x 30 mm

PEDAL



Opening by pushing the foot pedal

NOISE REDUCTION SYSTEMS



Lid Opening Noise Reduction



Lid closing damper

WHEELS



Ø 200 mm Wheel



Ø 250 mm Wheel



Triangular Locks



Padlock Fixtures



Cylinder lock with automatic function



Cylinder lock without automatic function

LOCKING SYSTEMS

Citybac® Classic 140L

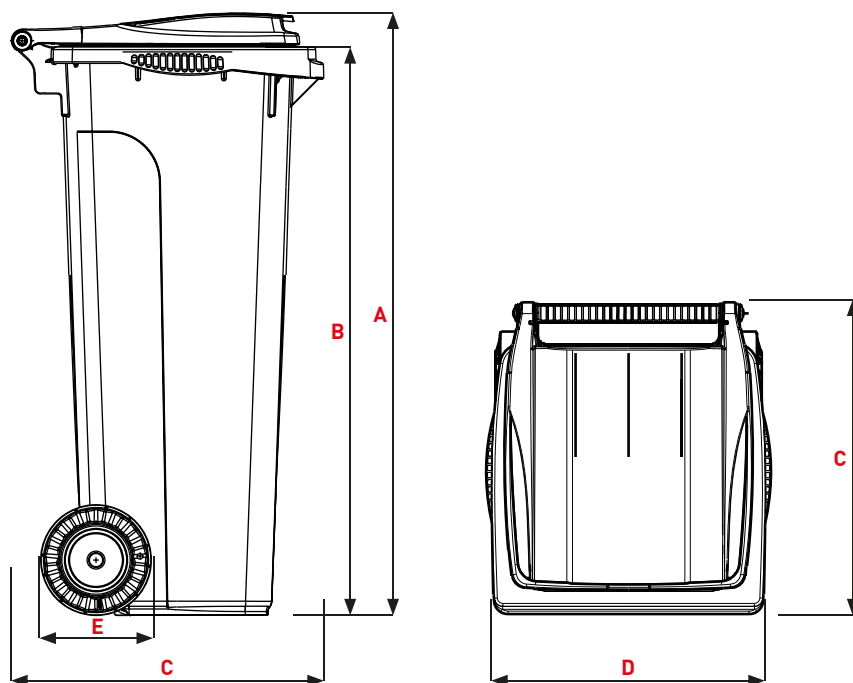
PRODUCT DETAILS



- 1 Design Lid
- 2 3-sided all-round handle strip
- 3 Marking areas

- A Body
- B Handle bar
- C DIN comb lifting system, double stage
- D SULO sticker / Marking areas
- E External wheels
- F Chip nest as standard
- G Lateral grip surfaces





DESIGN LID

Dimensions (mm)

A Height total ~	1070
B Comb height ~	1010
C Bin depth ~	554
D Width total ~	508
E Wheel diameter ~	200

Weights

Tubular axle	
Nominal volume (L)	140
Empty weight (kg) ~	9,4
Max. filling weight (kg) ~	56
Max. total weight (kg) ~	70

Dimensions may vary due to production conditions. The specified empty weights are rounded average based on the standard specifications. The actual weight may be different as a result of production conditions and specifications.

Citybac® Classic 140L

PRODUCT DETAILS

COLOURING

Bin bodies made from 100 % recycled material with a minimum of 60 % post-consumer recycled material.



Perfectly set in scene with coloured **lids** for fraction identification



GREY
RAL
7021
AT



GREEN
RAL
6011
VJ



BROWN
RAL
8025
MR



BLUE
RAL
5023
BN



YELLOW
RAL
1018
JA



RED
RAL
3001
RN

ALTERNATIVE COLOURS FOR THE BIN BODY



GREEN
RAL
6011
VJ

ECO FRIENDLY

■ ■ ■ ■ ■



BROWN
RAL
8025
MR

ECO FRIENDLY

■ ■ ■ ■ ■



BLUE
RAL
5023
BN

ECO FRIENDLY

■ ■ ■ ■ ■



YELLOW
RAL
1018
JA

ECO FRIENDLY

■ ■ ■ ■ ■

Colours may vary due to production. The colour values given according to RAL are guide colours.

LID SLOT SYSTEMS

Packaging



Lin in Lid

Glass



Round slot with rubber rosette
Ø 150 mm

Paper



Paper Inlet Hood

WHEELS



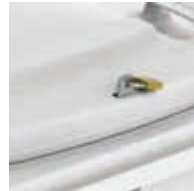
Ø 200 mm Wheel



Ø 250 mm Wheel



Triangular Locks



Padlock Fixtures



Cylinder lock with automatic function



Cylinder lock without automatic function

LOCKING SYSTEMS

Citybac® Classic 240L

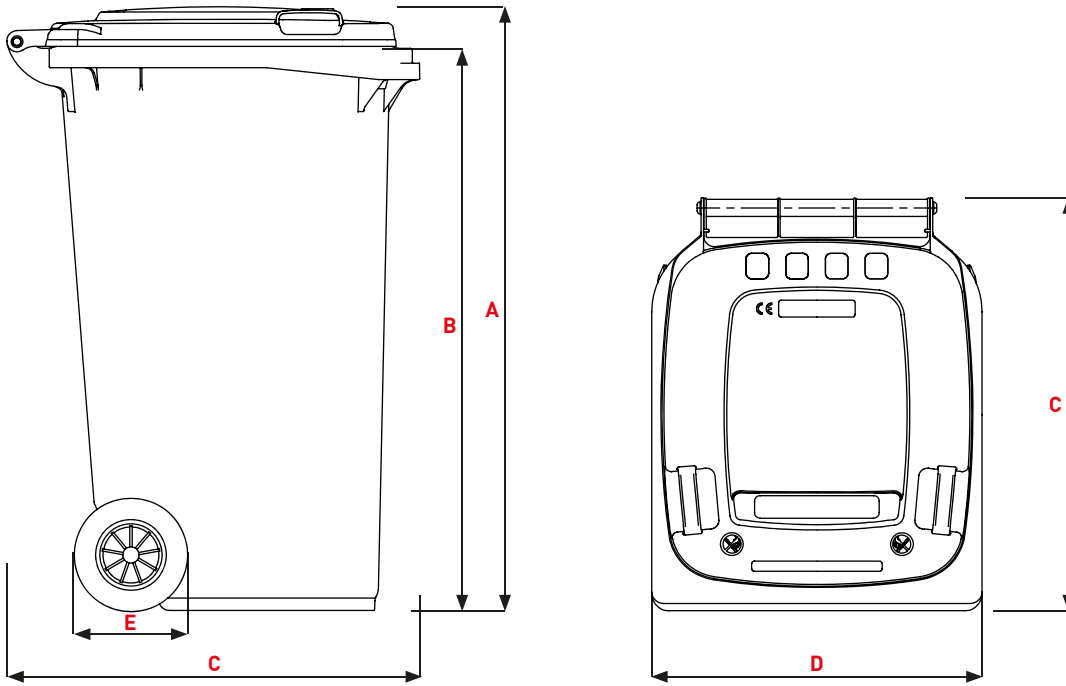
PRODUCT DETAILS



- 1 Standard Lid
- 2 Handles 2x
- 3 Lid rivet 2x
- 4 Marking areas

- A Body
- B Continuous handle bar
- C DIN comb lifting system, double stage
- D SULO sticker / Marking areas
- E External wheels
- F Chip nest as standard
- G Lateral grip surfaces





STANDARD LID

Dimensions (mm)

A Height total ~	1075
B Comb height ~	991
C Bin depth ~	728
D Width total ~	582
E Wheel diameter ~	200

Weights

Tubular axle	
Nominal volume (L)	240
Empty weight (kg) ~	12,3
Max. filling weight(kg) ~	96
Max. total weight (kg) ~	110

CLIP LID

Dimensions (mm)

A Height total ~	1075
B Comb height ~	991
C Bin depth ~	728
D Width total ~	582
E Wheel diameter ~	200

Weights

Tubular axle	
Nominal volume (L)	240
Empty weight (kg) ~	12,3
Max. filling weight(kg) ~	96
Max. total weight (kg) ~	110

Dimensions may vary due to production conditions. The specified empty weights are rounded average based on the standard specifications. The actual weight may be different as a result of production conditions and specifications.

Citybac® Classic 240L

PRODUCT DETAILS

COLOURING

Bin bodies made from 100 % recycled material with a minimum of 60 % post-consumer recycled material.



Perfectly set in scene with coloured **lids** for fraction identification



GREY
RAL
7021
AT



GREEN
RAL
6011
VJ



BROWN
RAL
8025
MR



BLUE
RAL
5023
BN



YELLOW
RAL
1018
JA



RED
RAL
3001
RN

ALTERNATIVE COLOURS FOR THE BIN BODY



GREEN
RAL
6011
VJ

ECO FRIENDLY

■ ■ ■ ■ ■



BROWN
RAL
8025
MR

ECO FRIENDLY

■ ■ ■ ■ ■



BLUE
RAL
5023
BN

ECO FRIENDLY

■ ■ ■ ■ ■



YELLOW
RAL
1018
JA

ECO FRIENDLY

■ ■ ■ ■ ■

Colours may vary due to production. The colour values given according to RAL are guide colours.

FRACTION MARKING



Clip available in the colours



Label for Clip Lid, individual printing possible

BUTTERFLY LID



available in the colours



Butterfly lid - Lid opening from both sides

BIO-FILTERDECKEL



Lid available in the colours



Bio-filter lid - with active bio-filter material

LID SLOT SYSTEMS

Glass



Round slot with rubber rosette Ø 150 mm

Paper



Opening slot 300 x 60 mm



Paper Inlet Hood **BLUE**

PEDAL



Opening by pushing the foot pedal

NOISE REDUCTION SYSTEMS



Lid Opening Noise Reduction



Lid closing damper

WHEELS



Ø 200 mm Wheel



Ø 250 mm Wheel



Triangular Locks



Padlock Fixtures



Cylinder lock with automatic function



Cylinder lock without automatic function

Citybac® Classic 2Wheel

TECHNICAL INFORMATION

	60 LITRE	80 LITRE	120 LITRE	140 LITRE	240 LITRE
MATERIAL OPTIONS					
Extra UV protection	■	■	■	■	■
COLOURS					
Standard colours	■	■	■	■	■
Other colours	■	■	■	■	■
LID SYSTEMS					
Standard Lid	■	■	■		■
Clip Lid (EURO2)	■	■	■		■
Design Lid				■	
Silent Lid					■
Butterfly Lid					■
Bio-Filter Lid	■	■	■	■	■
Label for Clip Lid, individual printing possible	■	■	■		■
LIFTING SYSTEMS					
EN 840 / DIN Comb	■	■	■	■	■
LID SLOT SYSTEMS					
Glass					
Round slot with rubber rosette Ø 150 mm			■	■	■
Paper					
Opening Slot 250 x 30 mm			■	■	
Opening Slot 300 x 30 mm					
Opening Slot 300 x 60 mm					■
PaperPaper Inlet Hood blue				in lid colour	■
Packaging					
Lid-in-Lid					
LID OPENING SYSTEM					
Lid opening system by foot pedal			■	■	■
NOISE REDUCTION SYSTEMS					
Lid opening noise reduction	■	■	■		■
Lid closing damper	■	■	■		■
VARIO SYSTEM					
VARIO Bin-in-Bin Insert 40L			■		
VARIO Bin-in-Bin Insert 60L			■		
VARIO Bin-in-Bin Insert 80L			■		
CHASSIS					
Tubular axle	■	■	■	■	■
Full axle	■	■	■	■	■

	60 LITRE	80 LITRE	120 LITRE	140 LITRE	240 LITRE
WHEELS					
Ø 200 mm	■	■	■	■	■
Ø 250 mm	■	■	■	■	■
Ø 300 mm					
LOCKING SYSTEMS					
Padlock device 1x	■	■	■	■	■
Triangular Locks					
with open position	■	■	■	■	■
without open position	■	■	■	■	■
Cylinder lock without automatic function					
same key locking	■	■	■	■	■
group key locking	■	■	■	■	■
different key locking	■	■	■	■	■
Cylinder lock with automatic function					
same key locking	■	■	■	■	■
group key locking	■	■	■	■	■
different key locking	■	■	■	■	■
CHIP INSTALLATION					
RFID chip, installation without barcode sticker	■	■	■	■	■
RFID chip, installation with barcode sticker	■	■	■	■	■
RFID CHIP					
Transponder 134kHz HDX + HID Inlay casted	■	■	■	■	■
Transponder 134kHz FDX casted	■	■	■	■	■
Transponder 134kHz FDX riveted	■	■	■	■	■
Transponder 134kHz HDX + glass	■	■	■	■	■
Transponder 125kHz FDX casted	■	■	■	■	■
Transponder 125kHz FDX riveted	■	■	■	■	■
Transponder 13,56 MHz	■	■	■	■	■
LABELLING					
Body					
SULO sticker	■	■	■	■	■
Customer sticker	■	■	■	■	■
Hot foil stamping	■	■	■	■	■
Running numbers (colourless / black / white)	■	■	■	■	■
Lid					
Hot foil stamping	■	■	■		■
Running numbers (colourless / black / white)	■	■	■		■
Embossing insert	■	■	■		■
Print on Clip (Clip Lid)	■	■	■		■

■ Standard
■ Option

Citybac® Classic 660L

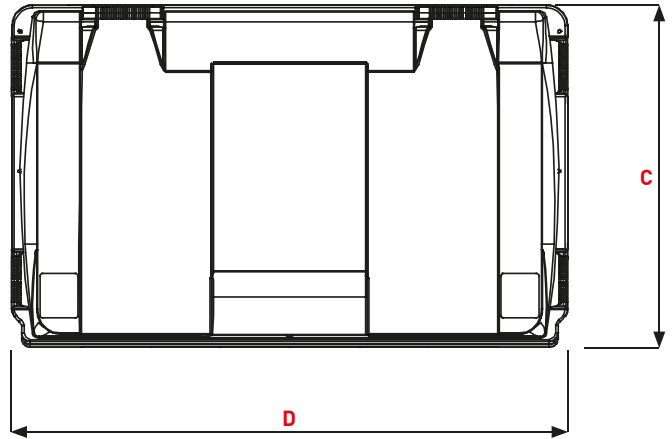
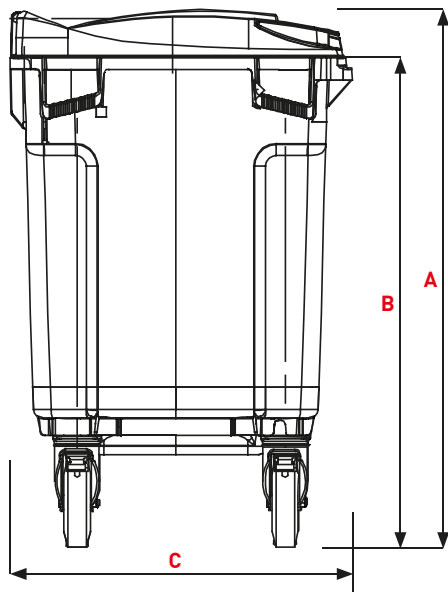
PRODUCT DETAILS



- 1 Flat Lid
- 2 Handle / handle recess
- 3 Handles with handle bar, rear 2x
- 4 Marking areas

- A Body
- B DIN comb lifting system, double stage
- C Stacking ribs
- D SULO sticker / Marking areas
- E Ergonomic handles lateral 4x
- F Chip nest as standard
- G Functional castors 2x
- H Castors 2x





FLAT LID

Dimensions (mm)

A Height total ~	1165
B Upper comb edge ~	1070
C Bin depth ~	775
D Width total ~	1265

Weights

Nominal volume (L)	660
Empty weight (kg) ~	37,3
Max. filling weight (kg) ~	264

Citybac® Classic 660L

PRODUCT DETAILS

COLOURING

Bin bodies made from 100 % recycled material with a minimum of 60 % post-consumer recycled material.



GREY
RAL 7021
AT

ECO FRIENDLY 

■ ■ ■ ■ ■

Perfectly set in scene with coloured **lids** for fraction identification



GREY
RAL 7021
AT



GREEN
RAL 6011
VJ



BROWN
RAL 8025
MR



BLUE
RAL 5023
BN



YELLOW
RAL 1018
JA



RED
RAL 3001
RN

ALTERNATIVE COLOURS FOR THE BIN BODY



GREEN
RAL 6011
VJ

ECO FRIENDLY 

■ ■ ■ ■ ■



BROWN
RAL 8025
MR

ECO FRIENDLY 

■ ■ ■ ■ ■



BLUE
RAL 5023
BN

ECO FRIENDLY 

■ ■ ■ ■ ■



YELLOW
RAL 1018
JA

ECO FRIENDLY 

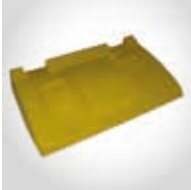
■ ■ ■ ■ ■

Colours may vary due to production. The colour values given according to RAL are guide colours.

+ OPTIONS

LID-IN-LID

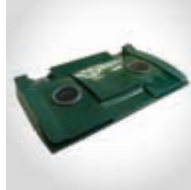
Packaging



Lid-in-lid 2x, small
Lid only available in
Yellow RAL 1018

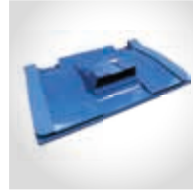
LID SLOT SYSTEMS

Glass



Round slot with
rubber rosette
Ø 150 mm /Lock
required

Paper



Paper Inlet Hood

LIFTING SYSTEMS



Fork lift device



Lifting trunnions

TRANSPORT



Towing system



Lid opening device,
foot execution

NOISE REDUCTION SYSTEMS



Lid closing damper

CHASSIS



Plastic rim,
Rubber wheel
Ø 200 mm



Plastic rim,
Rubber wheel
Ø 200 mm,
non-marking



Steel rim,
ball bearing,
Rubber wheel
Ø 200 mm



Double stop (DS)

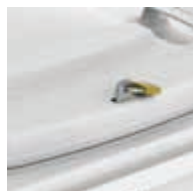


Steering lock

LOCKING SYSTEMS



Triangular Locks
with / without open
position



Padlock Fixtures



Cylinder lock with
automatic function



Cylinder lock without
automatic function

Citybac® Classic 770L

PRODUCT DETAILS



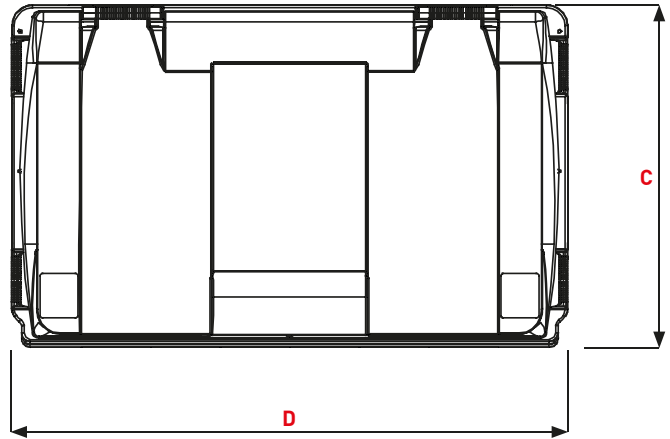
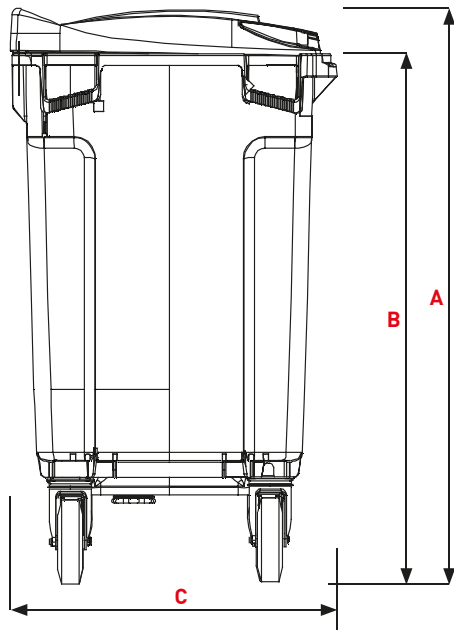
- 1 Flat Lid
- 2 Handle / handle recess
- 3 Handles with handle bar, rear 2x
- 4 Marking areas

- A Body
- B DIN comb lifting system, double stage
- C Stacking ribs
- D SULO sticker / Marking areas
- E Ergonomic handles lateral 4x
- F Chip nest as standard
- G Functional castors 2x
- H Castors 2x



MANUAL LOCK

AUTOMATIC LOCK



FLAT LID

Dimensions (mm)

A Height total ~	1320
B Upper comb edge ~	1215
C Bin depth ~	775
D Width total ~	1265

Weights

Nominal volume (L)	770
Empty weight (kg) ~	39,6
Max. filling weight (kg) ~	308

Citybac® Classic 770L

PRODUCT DETAILS

COLOURING

Bin bodies made from 100 % recycled material with a minimum of 60 % post-consumer recycled material.



GREY
RAL 7021
AT

ECO FRIENDLY 

■ ■ ■ ■ ■

Perfectly set in scene with coloured **lids** for fraction identification



GREY
RAL 7021
AT



GREEN
RAL 6011
VJ



BROWN
RAL 8025
MR



BLUE
RAL 5023
BN



YELLOW
RAL 1018
JA



RED
RAL 3001
RN

ALTERNATIVE COLOURS FOR THE BIN BODY



GREEN
RAL 6011
VJ

ECO FRIENDLY 

■ ■ ■ ■ ■



BROWN
RAL 8025
MR

ECO FRIENDLY 

■ ■ ■ ■ ■



BLUE
RAL 5023
BN

ECO FRIENDLY 

■ ■ ■ ■ ■



YELLOW
RAL 1018
JA

ECO FRIENDLY 

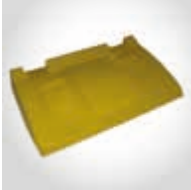
■ ■ ■ ■ ■

Colours may vary due to production. The colour values given according to RAL are guide colours.

+ OPTIONS

LID-IN-LID

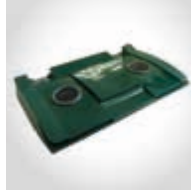
Packaging



Lid-in-lid 2x, small
Lid only available in
Yellow RAL 1018

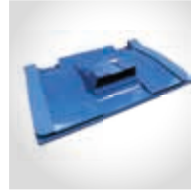
LID SLOT SYSTEMS

Glass



Round slot with
rubber rosette
Ø 150 mm /Lock
required

Paper



Paper Inlet Hood

LIFTING SYSTEMS



Fork lift device



Lifting trunnions

TRANSPORT



Towing system



Lid opening device,
foot execution

NOISE REDUCTION SYSTEMS



Lid closing damper

CHASSIS



Plastic rim,
Rubber wheel
Ø 200 mm



Plastic rim,
Rubber wheel
Ø 200 mm,
non-marking



Steel rim,
ball bearing,
Rubber wheel
Ø 200 mm



Double stop (DS)

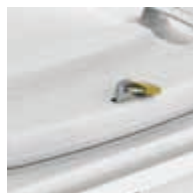


Steering lock

LOCKING SYSTEMS



Triangular Locks
with / without open
position



Padlock Fixtures



Cylinder lock with
automatic function



Cylinder lock without
automatic function

Citybac® Classic 1100L Flat Lid

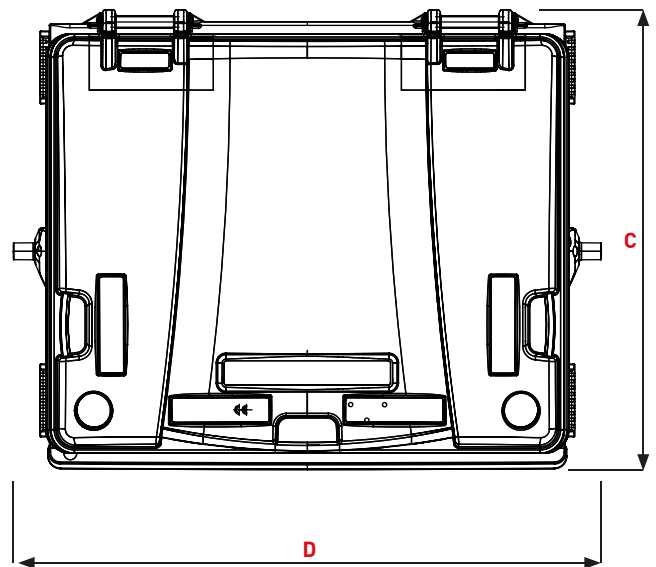
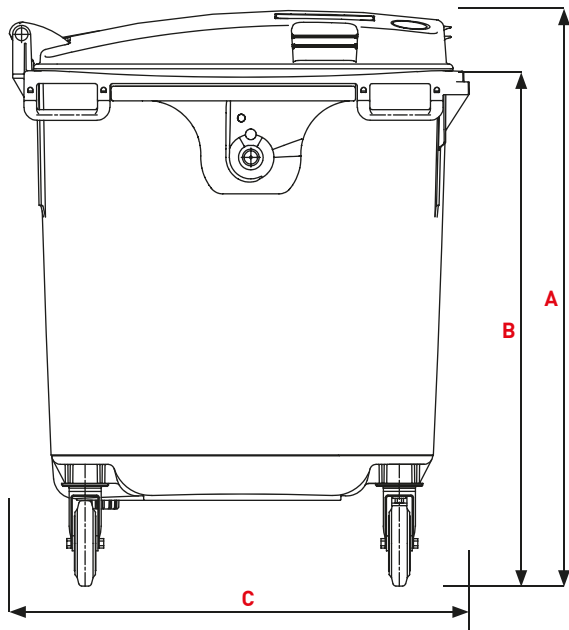
PRODUCT DETAILS



- 1 Flat Lid
- 2 Handle / recessed grip
- 3 Lid handles lateral 2x
- 4 Handles with handle bar, rear 2x
- 5 Marking areas

- A Body
- B DIN comb lifting system, double stage
- C Stacking ribs
- D SULO sticker / Marking areas
- E Ergonomic handles lateral 4x
- F Chip nest as standard
- G Lifting trunnion
- H Functional castors 2x
- I Double stop break 2x
- J Castors 2x





FLAT LID

Dimensions (mm)

A Height total ~	1330
B Upper comb edge ~	1205
C Bin depth ~	1128
D Width total ~	1370

Weights

Nominal volume (L)	1100
Empty weight (kg) ~	50
Max. filling weight (kg) ~	440
Max. total weight (kg) ~	510

FLAT LID - LID-IN-LID

Dimensions (mm)

A Height total ~	1330
B Upper comb edge ~	1205
C Bin depth ~	1075
D Width total ~	1370

Weights

Nominal volume (L)	1100
Empty weight (kg) ~	50
Max. filling weight (kg) ~	440
Max. total weight (kg) ~	510

Dimensions may vary due to production conditions. The specified empty weights are rounded average based on the standard specifications. The actual weight may be different as a result of production conditions and specifications.

Citybac® Classic 1100L Flat Lid

PRODUCT DETAILS

COLOURING

Bin bodies made from 100 % recycled material with a minimum of 60 % post-consumer recycled material.



GREY
RAL 7021
AT

ECO FRIENDLY 

■ ■ ■ ■ ■

Perfectly set in scene with coloured **lids** for fraction identification



GREY
RAL 7021
AT



GREEN
RAL 6011
VJ



BROWN
RAL 8025
MR



BLUE
RAL 5023
BN



YELLOW
RAL 1018
JA



RED
RAL 3001
RN

ALTERNATIVE COLOURS FOR THE BIN BODY



GREEN
RAL 6011
VJ

ECO FRIENDLY 

■ ■ ■ ■ ■



BROWN
RAL 8025
MR

ECO FRIENDLY 

■ ■ ■ ■ ■



BLUE
RAL 5023
BN

ECO FRIENDLY 

■ ■ ■ ■ ■



YELLOW
RAL 1018
JA

ECO FRIENDLY 

■ ■ ■ ■ ■

Colours may vary due to production. The colour values given according to RAL are guide colours.

+ OPTIONS

LID-IN-LID

Packaging



front lid available
in the colours



Lid-in-Lid

LID SLOT SYSTEMS

Glass



Round slot with
rubber rosette
Ø 150 mm

Paper



Opening Slot
530 x 95 mm



Paper Inlet Hood
Blue

LIFTING SYSTEMS



Fork lift device



Lifting trunnions



Lateral handles 2x

HANDLES

TRANSPORT



Towing system



Lid opening device,
foot execution



Lid Opening Noise
Reduction



Lid closing damper

LID OPENING

NOISE REDUCTION SYSTEMS

CHASSIS



Plastic rim,
Rubber wheel
Ø 200 mm



Plastic rim,
Rubber wheel
Ø 200 mm,
non-marking



Steel rim,
ball bearing,
Rubber wheel
Ø 200 mm



Double stop (DS)



Central locking
device (ZF)

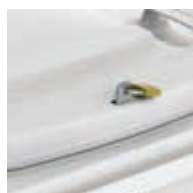


Steering lock

LOCKING SYSTEMS



Triangular Locks
with / without open
position



Padlock Fixtures



Cylinder lock with
automatic function



Cylinder lock without
automatic function

Citybac® Classic 1100L Dome Lid

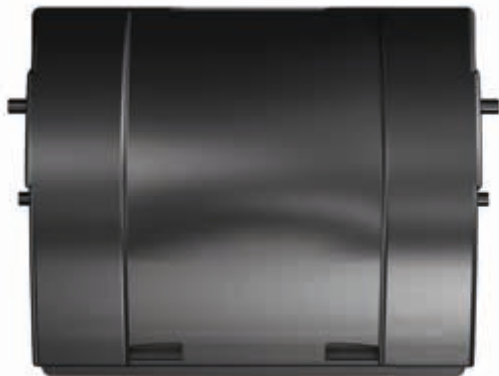
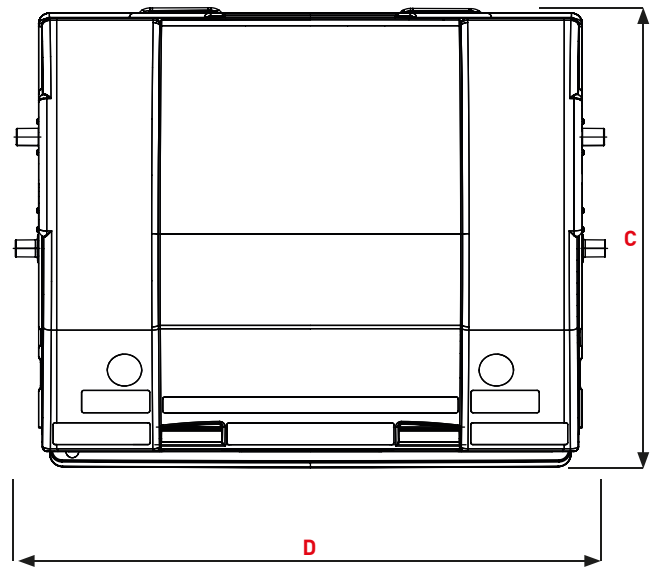
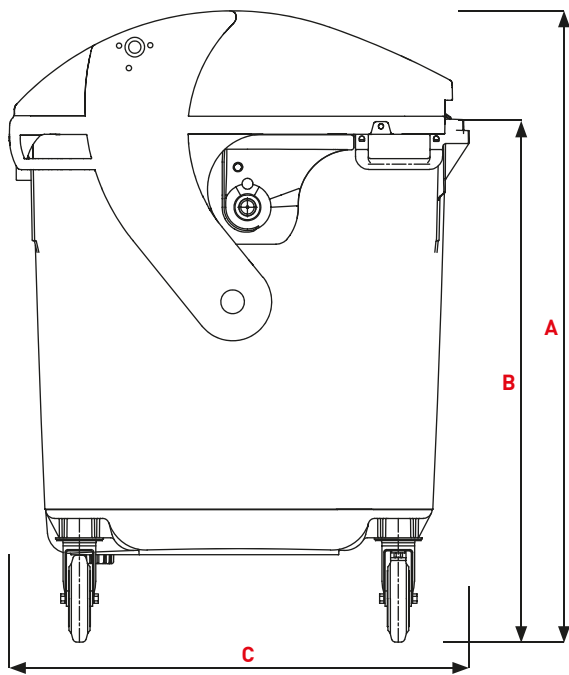
PRODUCT DETAILS



- 1 Dome Lid
- 2 Handle / recessed grip
- 3 Lid handles lateral 2x
- 4 Finger guard
- 5 Marking areas
- 6 Lid opening pegs 2x
- 7 Lid hinge 2x
- 8 Push-buttons to close the domed lid

- A Body
- B DIN comb lifting system, double stage
- C Stacking ribs
- D SULO sticker / Marking areas
- E Ergonomic handles lateral 4x
- F Chip nest as standard
- G Lifting trunnion
- H Functional castors 2x
- I Double stop break 2x
- J Castors 2x





DOMES LID

Dimensions (mm)

A Height total ~	1460
B Upper comb edge ~	1205
C Bin depth ~	1210
D Width total ~	1370

Weights

Nominal volume (L)	1100
Empty weight (kg) ~	60
Max. filling weight (kg) ~	440
Max. total weight (kg) ~	51

DOMES LID WITH LID-IN-LID

Dimensions (mm)

A Height total ~	1460
B Upper comb edge ~	1205
C Bin depth ~	1210
D Width total ~	1370

Weights

Nominal volume (L)	1100
Empty weight (kg) ~	60
Max. filling weight (kg) ~	440
Max. total weight (kg) ~	51

Dimensions may vary due to production conditions. The specified empty weights are rounded average based on the standard specifications. The actual weight may be different as a result of production conditions and specifications.

Citybac® Classic 1100L Dome Lid

PRODUCT DETAILS

COLOURING

Bin bodies made from 100 % recycled material with a minimum of 60 % post-consumer recycled material.



GREY
RAL 7021
AT

ECO FRIENDLY 


Perfectly set in scene with coloured **lids** for fraction identification



GREY
RAL 7021
AT



GREEN
RAL 6011
VJ



BROWN
RAL 8025
MR



BLUE
RAL 5023
BN



YELLOW
RAL 1018
JA



RED
RAL 3001
RN

ALTERNATIVE COLOURS FOR THE BIN BODY



GREEN
RAL 6011
VJ

ECO FRIENDLY 




BROWN
RAL 8025
MR

ECO FRIENDLY 




BLUE
RAL 5023
BN

ECO FRIENDLY 




YELLOW
RAL 1018
JA

ECO FRIENDLY 


Colours may vary due to production. The colour values given according to RAL are guide colours.

+ OPTIONS

LID-IN-LID



front lid available in the colours



Lid-in-Lid

LID SLOT SYSTEMS

Glass



2x Round slot with rubber rosette
Ø 150 mm

Paper



Opening Slot
530 x 95 mm



Paper Inlet Hood
BLUE

LIFTING SYSTEMS



Fork lift device



Lifting trunnions



Lateral handles 2x



Rear handles
2x

HANDLES

TRANSPORT



Towing system



Lid opening device,
foot execution



Lid Opening Noise
Reduction



Lid closing damper

LID OPENING

NOISE REDUCTION SYSTEMS

CHASSIS



Plastic rim,
Rubber wheel
Ø 200 mm



Plastic rim,
Rubber wheel
Ø 200 mm,
non-marking



Steel rim,
ball bearing,
Rubber wheel
Ø 200 mm



Double stop (DS)



Central locking
device (ZF)



Steering lock

LOCKING SYSTEMS



Triangular Locks
with / without open
position



Padlock Fixtures



Cylinder lock with
automatic function



Cylinder lock without
automatic function

Citybac® Classic 4Wheel

TECHNICAL INFORMATION

	660 LITRE	770 LITRE	1.100 LITRE FD	1.100 LITRE RD
MATERIAL OPTIONS				
Extra UV protection	■	■	■	■
COLOURS				
Standard colours	■	■	■	■
Other colours	■	■	■	■
LID SYSTEMS				
Flat lid	■	■	■	
Flat lid with Lid-in-Lid (LiL)			■	
Dome lid				■
Dome lid with Lid-in-Lid (LiL)				■
LIFTING SYSTEMS				
EN 840 / DIN DIN Comb	■	■	■	■
Lifting trunnions	■	■	■	■
Lifting handles 2x	■	■	■	■
Rear handles				■
Fork lift device	■	■	■	■
WATER DRAIN				
Water drain	■	■	■	■
Without water drain	■	■	■	■
TRANSPORT				
Towing system with or without bar	■	■	■	■
LID SLOT SYSTEMS				
Packaging				
Lid-in_lid 2x, small Lid only available in Yellow RAL 1018	■	■		
Glass				
2 x Round slot with rubber rosette Ø 150 mm	■	■	■	■
Paper				
Paper slot: 530 x 95 mm			■	■
Paper Inlet Hood Blue	in lid colour	in lid colour	■	■
LID OPENING				
Lid opening device, foot execution	■	■	■	■
NOISE REDUCTION SYSTEMS				
Lid opening noise reduction			■	■
Lid closing damper	■	■	■	■
CHILD SAFETY				
Comfort				■
Basic				■
Light				■

	660 LITRE	770 LITRE	1.100 LITRE FD	1.100 LITRE RD
CHASSIS				
Plastic rim, Rubber wheel Ø 200 mm	■	■	■	■
Plastic rim, Rubber wheel Ø 200 mm, non-marking	■	■	■	■
Steel rim, ball bearing	■	■	■	■
Castor	■	■	■	■
Double stop (DS)	■	■	■	■
Central locking device (ZF)			■	■
Steering lock	■	■	■	■
LOCKING SYSTEMS				
Padlock device 1x	■	■	■	
Padlock device 2x			■	■
Triangular Lock				
with open position	■	■	■	■
without open position	■	■	■	■
Cylinder lock without automatic function				
same key locking	■	■	■	■
group key locking	■	■	■	■
different key locking	■	■	■	■
Cylinder lock with automatic function				
same key locking	■	■	■	■
group key locking	■	■	■	■
different key locking	■	■	■	■
CHIP INSTALLATION				
RFID chip, installation without barcode sticker	■	■	■	■
RFID chip, installation with barcode sticker	■	■	■	■
RFID CHIP				
Transponder 134kHz HDX + HID Inlay casted	■	■	■	■
Transponder 134kHz FDX casted	■	■	■	■
Transponder 134kHz FDX riveted	■	■	■	■
Transponder 134kHz HDX + glass	■	■	■	■
Transponder 125kHz FDX casted	■	■	■	■
Transponder 125kHz FDX riveted	■	■	■	■
Transponder 13,56 MHz	■	■	■	■
LABELLING				
Body				
SULO sticker			■	■
Customer sticker	■	■	■	■
Hot foil stamping	■	■	■	■
Running numbers (colourless / black / white)	■	■	■	■
Lid				
SULO sticker	■	■	■	■
Screen printing				■
Hot foil stamping	■	■	■	■
Running numbers (colourless / black / white)	■	■	■	■
Embossing insert	■	■	■	■

■ Standard
■ Option





**CITYBAC®
SPECIALS**

The specialists for special tasks

CITYBAC® SPECIALS

The CITYBAC® series reliably covers all common collection and disposal tasks and also offers fully developed special solutions for particular requirements. Medical bins have proven themselves in numerous practices and clinics throughout the world, Confido is the number one for the secure disposal of confidential documents, Vario enables the uncomplicated adjustment of the collection volume and Diamond, offering many handling benefits, is the preferred lifting variant for many municipalities. Despite their differences, all CITYBAC® special bins have one fundamental thing in common: robust SULO quality and maximum environmental friendliness thanks to the use of recyclable materials.

CITYBAC® SPECIALS



Hygienic disposal for clinics and practices

Medical

110-111



The highest level of security for confidential documents

Confido

112-113



Master of adaptation for your desired volume

Vario

114-115



The benchmark for secure and fast handling

Diamond

116-117

Hygienic disposal for clinics and practices

CITYBAC® MEDICAL

In the medical field, hygiene is the most important. Special safety standards defined by the UN apply wherever septic waste is to be disposed of. CITYBAC® medical bins of all sizes meet these standards with ease. Every bin possesses a unique serial number so consignments can be tracked seamlessly. Thanks to their striking yellow colouring, CITYBAC® medical bins are recognisable at first glance in any environment and can be locked after use to prevent unauthorised access using a lever closure or a triangular lock.



- 1 Hot foil stamping: infectious hospital waste
- 2 UN licence number
- 3 Hazardous goods label
- 4 Pictogram: No sharp objects
- 5 Security via lever closure
- 6 Ø 160 mm tyres

M



	660 L	770 L
Lifting trunnions	■	■
Lever closure (on both sides of the bin)	■	■
Non-marking wheels	■	■
Reinforced wheels for speeds of up to 12 km/h	■	■
RFID-Chip	■	■
Removable lifting trunnions	■	■
Reinforced tow shaft	■	■
Bumper made of metal	■	■
COLOURS		
Lid yellow RAL 1018	■	■
Body yellow RAL 1018	■	■
Body grey RAL 7021	■	■

	660 L	770 L
Dimensions (mm)		
Height total ~	1170	1320
Upper comb edge ~	1070	1215
Width total ~	1265	1265
Bin depth ~	855	855
Diameter wheel ~	160	160



Removable lifting trunnions



Bumper made of metal



Reinforced tow shaft

EDICAL

The highest level of security for confidential documents

CITYBAC® CONFIDO

It is not only for data protection reasons that the vast majority of companies rely on the secure collection and disposal of sensitive documents. The CITYBAC® Confido series has been developed specifically for this task. The slot made of galvanised steel offers one-hundred-per-cent protection against curious glances and hands. Once the document has been disposed of in the bin, only authorised individuals with the key to the cylinder lock are able to access them again. Thanks to its high-quality silver-metallic design, your Confido bin fits seamlessly into high-level office furnishings.

Trust is good, Confido is better

- Security slot made of galvanised steel
- Perfectly secured against viewing and access, including through the metal reinforcement in the lid
- Good manoeuvrability even when heavy
- Lockable with cylinder lock
- High-quality silver-metallic design



- 1 Silver-metallic design
- 2 Safety paper inlet with viewing and access protection
- 3 Cylinder lock
- 4 Chip nest
- 5 Identification clip available in various colours

CO



120 L

240 L

	120 L	240 L
Dimensions (mm)		
Height total ~	934	1075
Upper comb edge ~	871	991
Bin depth ~	550	728
Width total ~	500	582
Diameter wheel ~	200	200

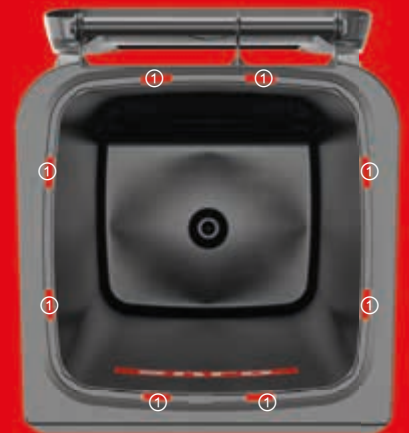
CONFIDO

Master of adaptation for your desired volume **CITYBAC® VARIO**

Modern waste separation requires the greatest possible flexibility in terms of bin design. With respect to volumes used, Vario inserts solve this challenge in next to no time. They allow the volume of the mobile bins to be adapted as required, without having to replace the entire bin.

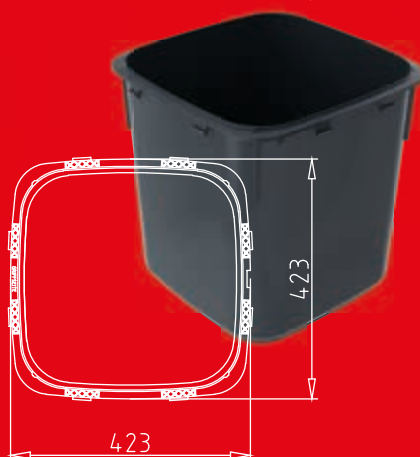
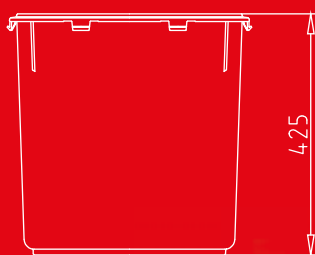
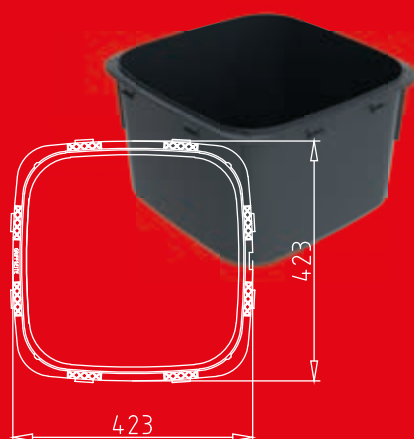
Large becomes small

- Simple configuration of the desired bin volume
- Secure locking of the insert
- Retrofitting of mobile bins to volumes of 40, 60 and 80 litres



① Slots for the VARIO insert.





VARIO

The Vario insert must be ordered separately as an option. It is not automatically included as standard in the CITYBAC® 120!

The benchmark for secure and fast handling

CITYBAC® DIAMOND

Many municipalities have discovered the benefits of the CITYBAC® Diamond lifting system for themselves and switched their waste disposal to it. Instead of the comb, the Diamond panel is lifted and locked by the waste disposal vehicle, meaning that the bin sits absolutely firmly and the entire emptying process can be carried out up to 20 % more quickly and in an extremely accident-proof manner. In this way, one-person operation offers an efficient alternative to conventional waste collection.

Optimal lifting conditions

- Self-centring lifting system with firm bin hold
- Increased speed and safety in handling
- Allows safe one-person operation
- Use of time- and cost-saving potential



- 1 Diamond lifting device
- 2 Design lid

DIAMOND



	120 L	140 L	180 L	240 L
Dimensions (mm)				
Height total ~	942	1079	1075	1081
Upper edge diamond device ~	887	1010	1010	1012
Bin depth ~	563	575	572	771
Width total ~	499	508	501	580
Diameter wheel ~	200	200	200	200

AMOND

Your one-stop partner

SULO.

Offering comprehensive services spanning the entire life cycle of a CITYBAC® bin, SULO is your reliable partner for economically optimised and sustainable processes. Data collection, marking, installation, maintenance, return and recycling of used bins – we take care of every aspect, making your waste and recycling logistics even more transparent and efficient.

SULO'S COMPREHENSIVE BIN SERVICE - THE ALL-ROUND CAREFREE PACKAGE

To ensure that your waste disposal logistics run smoothly at all times, we have developed a service offering that guarantees seamless processes. This makes the compatibility of business optimisation and a high degree of sustainability a realistic goal.

- Installation of new bins with direct distribution from the factory to the end user
- Marking and identification of bins (if required with an RFID chip)
- Maintenance, repair and replacement of defective bins
- Return and recycling of old bins



WASTE MANAGEMENT MADE BY SULO

With its digital solutions, SULO is embracing the future and offers all the components and advantages of modern waste management from a single source:

- Bin identification
- Weighing by waste producer (weighing of individual bins)
- Route optimisation
- Real-time fleet management
- Automated accounting
- Increased transparency
- Cost reduction
- Support of waste avoidance



+ OPTIONS

FRACTION MARKING



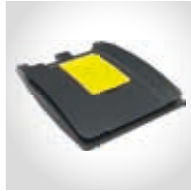
Clip available in the colours



Label for Silent and Design Lid, individual printing possible

LID SLOT SYSTEMS

Packaging



Lid-in-Lid, small Lid always in **Yellow** RAL 1018

Glass



Round slot with rubber rosette Ø 150 mm, lock or bolt required

Paper



Paper hood for newspapers and magazines in **Blue** RAL 5023



Slot for confidential paper

NOISE REDUCTION



Plastic damper spring for the wheels

WHEELS



Solid rubber Ø 200 mm wheels



Solid rubber Ø 300 mm wheels

LOCKING SYSTEMS



Automatic lock with triangular key



Automatic lock with individual key



Manual lock with individual key



Manual lock with triangular key

Citybac® 2-Wheel

TECHNICAL INFORMATION

	120 LITRE	240 LITRE	360 LITRE
MATERIAL OPTIONS			
Extra UV protection	■	■	■
COLOURS			
Standard colours	■	■	■
Other colours	■	■	■
LID SYSTEMS			
Standard Lid	■	■	
Clip Lid (EURO2)	■	■	
Silent Lid	-	■	■
Label for Silent and Clip Lid, individual printing possible	■	■	
LIFTING SYSTEMS			
EN 840 / DIN Comb	■	■	■
LID SLOT SYSTEMS			
Glass			
Round slot with rubber rosette Ø 150 mm	■	■	■
Paper			
Opening Slots 250 x 30 mm	■		
Opening Slots 300 x 30 mm			
Opening Slots 300 x 60 mm		■	■
Paper Inlet Hood Blue		■	■
Packaging			
Lid in Lid (LiL) Yellow			■
NOISE REDUCTION SYSTEMS			
Lid opening noise reduction	■	■	■
Lid closing damper	■	■	■
CHASSIS			
Tubular axle	■	■	■
Full axle	■	■	■
WHEELS			
Ø 200 mm	■	■	■
Ø 250 mm			■

	120 LITRE	240 LITRE	360 LITRE
LOCKING SYSTEMS			
Padlock device 1x	■	■	■
Triangular Locks			
with open position	■	■	■
without open position	■	■	■
Cylinder lock without automatic function			
same key locking	■	■	■
group key locking	■	■	■
different key locking	■	■	■
Cylinder lock with automatic function			
same key locking	■	■	■
group key locking	■	■	■
different key locking	■	■	■
CHIP INSTALLATION			
RFID chip, installation without barcode sticker	■	■	■
RFID chip, installation with barcode sticker	■	■	■
RFID CHIP			
Transponder 134kHz HDX + HID Inlay casted	■	■	■
Transponder 134kHz FDX casted	■	■	■
Transponder 134kHz FDX riveted	■	■	■
Transponder 134kHz HDX + glass	■	■	■
Transponder 125kHz FDX casted	■	■	■
Transponder 125kHz FDX riveted	■	■	■
Transponder 13,56 MHz	■	■	■
LABELLING			
Body			
SULO sticker	■	■	
Customer sticker	■	■	■
Hot foil stamping	■	■	■
Running numbers (colourless / black / white)	■	■	■
Lid			
Hot foil stamping	■	■	■
Running numbers (colourless / black / white)	■	■	■
Embossing insert	■	■	■
Print on Clip (Clip Lid)	■	■	■

■ Standard
■ Option

Citybac® 1100L Flat Lid

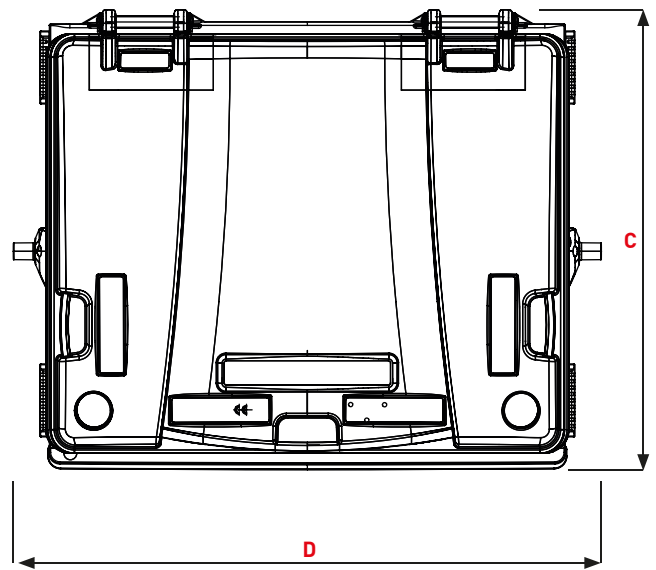
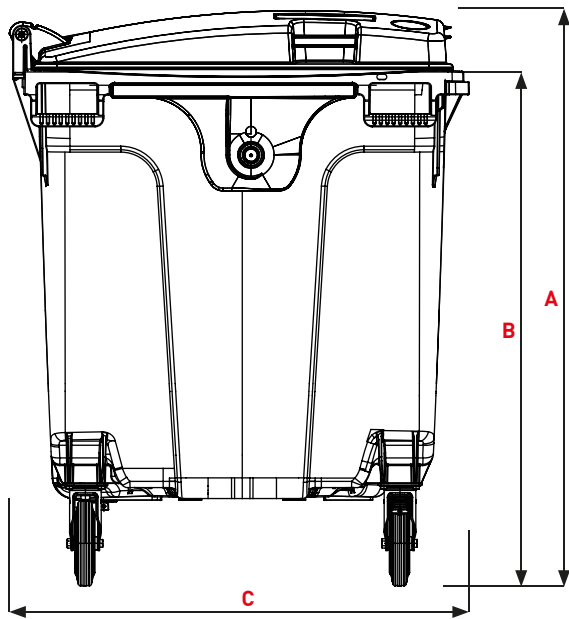
PRODUCT DETAILS



- 1 Flat Lid
- 2 Handle / recessed grip
- 3 Lid handles lateral 2x
- 4 Handles with handle bar, rear 2x
- 5 Marking areas

- A Body reinforced with beads
- B DIN comb lifting system, double stage
- C Stacking ribs
- D SULO sticker / Marking areas
- E Ergonomic handles lateral 4x
- F Chip nest as standard
- G Lifting trunnion
- H Functional castors 2x
- I Double stop break 2x
- J Castors 2x





FLAT LID

Dimensions (mm)

A Height total ~	1330
B Upper comb edge ~	1205
C Bin depth ~	1075
D Width total ~	1370

Weights

Nominal volume (L)	1100
Empty weight (kg) ~	46
Max. filling weight(kg) ~	440
Max. total weight (kg) ~	510

FLAT LID WITH LID-IN-LID

Dimensions (mm)

A Height total ~	1330
B Upper comb edge ~	1205
C Bin depth ~	1075
D Width total ~	1370

Weights

Nominal volume (L)	1100
Empty weight (kg) ~	46
Max. filling weight(kg) ~	440
Max. total weight (kg) ~	510

Dimensions may vary due to production conditions. The specified empty weights are rounded average based on the standard specifications. The actual weight may be different as a result of production conditions and specifications.

Citybac® 1100L Flat Lid

PRODUCT DETAILS

COLOURING

Bin bodies made from 100 % recycled material with a minimum of 60 % post-consumer recycled material.



GREY
RAL 7021
AT

ECO FRIENDLY 

■ ■ ■ ■ ■

Perfectly set in scene with coloured **lids** for fraction identification



GREY
RAL 7021
AT



GREEN
RAL 6011
VJ



BROWN
RAL 8025
MR



BLUE
RAL 5023
BN



YELLOW
RAL 1018
JA



ORANGE
RAL 2008
OF



RED
RAL 3001
RN

ALTERNATIVE COLOURS FOR THE BIN BODY



GREEN
RAL 6011
VJ

ECO FRIENDLY 

■ ■ ■ ■ ■



BROWN
RAL 8025
MR

ECO FRIENDLY 

■ ■ ■ ■ ■



BLUE
RAL 5023
BN

ECO FRIENDLY 

■ ■ ■ ■ ■



YELLOW
RAL 1018
JA

ECO FRIENDLY 

■ ■ ■ ■ ■

Colours may vary due to production. The colour values given according to RAL are guide colours.

+ OPTIONS

LID-IN-LID



front lid available
in the colours



Lid-in-Lid

LID SLOT SYSTEMS

Glass



Round slot with
rubber rosette
Ø 150 mm

Paper



Opening Slots
530 x 95 mm



Paper Inlet Hood
BLUE

LIFTING SYSTEMS



Fork lift device



Lifting trunnions



Lateral handles 2x

HANDLES

TRANSPORT



Towing system



Lid opening device,
foot execution



Lid Opening Noise
Reduction



Lid closing damper

LID OPENING

NOISE REDUCTION SYSTEMS

CHASSIS



Plastic rim,
Rubber wheel
Ø 200 mm



Plastic rim,
Rubber wheel
Ø 200 mm,
non-marking



Steel rim,
ball bearing,
Rubber wheel
Ø 200 mm



Double stop (DS)



Central locking
device (ZF)

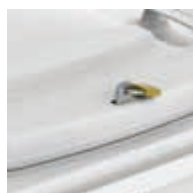


Steering lock

LOCKING SYSTEMS



Triangular Locks



Padlock Fixtures



Cylinder lock with
automatic function



Cylinder lock without
automatic function

Citybac® 1100L Dome Lid

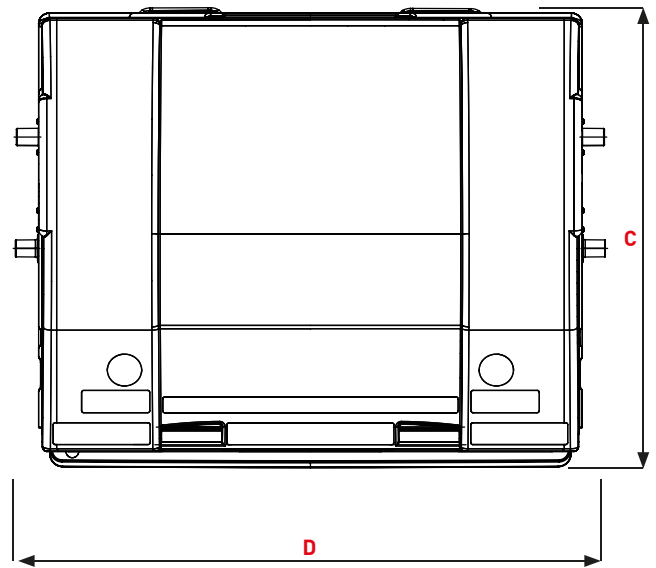
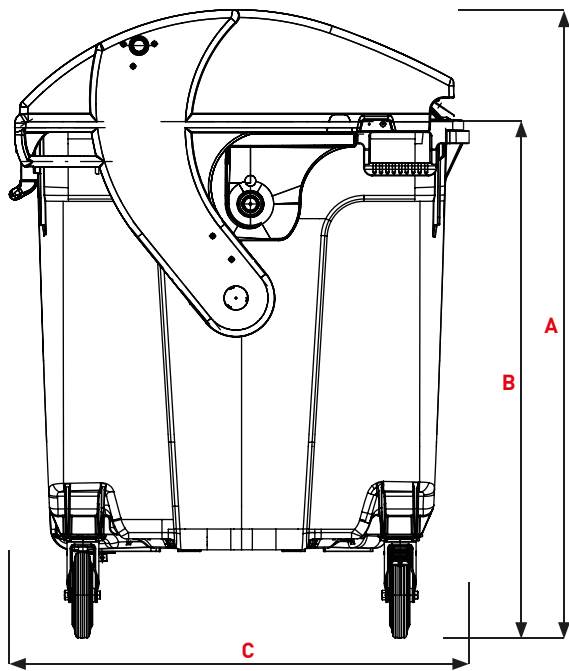
PRODUCT DETAILS



- 1 Dome Lid
- 2 Handle / recessed grip
- 3 Lid handles lateral 2x
- 4 Finger guard
- 5 Marking areas
- 6 Lid opening pegs 2x
- 7 Lid hinge 2x
- 8 Push-buttons to close the domed lid

- A Body reinforced with beads
- B DIN comb lifting system, double stage
- C Stacking ribs
- D SULO sticker / Marking areas
- E Ergonomic handles lateral 4x
- F Chip nest as standard
- G Lifting trunnion
- H Functional castors 2x
- I Double stop break 2x
- J Castors 2x





DOMELID

Dimensions (mm)

A Height total ~	1460
B Upper comb edge ~	1205
C Bin depth ~	1060
D Width total ~	1370

Weights

Nominal volume (L)	1100
Empty weight (kg) ~	54
Max. filling weight(kg) ~	440
Max. total weight (kg) ~	510

DOMELID WITH LID-IN-LID

Dimensions (mm)

A Height total ~	1460
B Upper comb edge ~	1205
C Bin depth ~	1060
D Width total ~	1370

Weights

Nominal volume (L)	1100
Empty weight (kg) ~	54
Max. filling weight(kg) ~	440
Max. total weight (kg) ~	510

Dimensions may vary due to production conditions. The specified empty weights are rounded average based on the standard specifications. The actual weight may be different as a result of production conditions and specifications.

Citybac® 1100L Dome Lid

PRODUCT DETAILS

COLOURING

Bin bodies made from 100 % recycled material with a minimum of 60 % post-consumer recycled material.



GREY
RAL 7021
AT

ECO FRIENDLY 


Perfectly set in scene with coloured lids for fraction identification



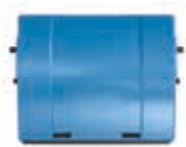
GREY
RAL 7021
AT



GREEN
RAL 6011
VJ



BROWN
RAL 8025
MR



BLUE
RAL 5023
BN



YELLOW
RAL 1018
JA



ORANGE
RAL 2008
OF



RED
RAL 3001
RN

ALTERNATIVE COLOURS FOR THE BIN BODY



GREEN
RAL 6011
VJ

ECO FRIENDLY 




BROWN
RAL 8025
MR

ECO FRIENDLY 




BLUE
RAL 5023
BN

ECO FRIENDLY 




YELLOW
RAL 1018
JA

ECO FRIENDLY 


Colours may vary due to production. The colour values given according to RAL are guide colours.

+ OPTIONS

LID-IN-LID



front lid available in the colours



Lid-in-Lid

LID SLOT SYSTEMS

Glass



2x Round slot with rubber rosette
Ø 150 mm

Paper



Opening slot
530 x 95 mm



Paper Inlet Hood
BLUE

LIFTING SYSTEMS



Fork lift device



Lifting trunnions



Lateral handles 2x



Rear handles
2x

HANDLES

TRANSPORT



Towing system

LID OPENING



Lid opening device,
foot execution

NOISE REDUCTIONS SYSTEMS



Lid Opening Noise
Reduction



Lid closing damper

CHASSIS



Plastic rim,
Rubber wheel
Ø 200 mm



Plastic rim,
Rubber wheel
Ø 200 mm,
non-marking



Steel rim,
ball bearing,
Rubber wheel
Ø 200 mm



Double stop (DS)



Central locking
device (ZF)



Steering lock

LOCKING SYSTEMS



Triangular Locks



Padlock Fixtures



Cylinder lock with
automatic function



Cylinder lock without
automatic function

Citybac® 4-Wheel

TECHNICAL INFORMATION

	1.100 LITRE FL	1.100 LITRE DL
MATERIAL OPTIONS		
Extra UV protection	■	■
COLOURS		
Standard colours	■	■
Other colours	■	■
LID SYSTEMS		
Flat lid	■	
Flat lid with Lid-in-Lid (LiL)	■	
Dome lid		■
Dome lid with Lid-in-Lid (LiL)		■
LIFTING SYSTEMS		
EN 840 / DIN Comb	■	■
Lifting trunnions	■	■
Lifting handles 2x	■	■
Rear handles		■
Fork lift device	■	■
WATER DRAIN		
Water drain	■	■
Without water drain	■	■
TRANSPORT		
Towing system with or without bar	■	■
LID SLOT SYSTEMS		
Glass		
2 x Round slot with rubber rosette Ø 150 mm	■	■
Paper		
Opening slot: 530 x 95 mm	■	■
Paper Inlet Hood Blue	■	■
LID OPENING		
Lid opening device, foot execution	■	■
NOISE REDUCTIONS SYSTEMS		
Lid opening noise reduction	■	■
Lid closing damper	■	■
CHILD SAFETY		
Comfort		■
Basic		■
Light		■

CHASSIS

Plastic rim, Rubber wheel Ø 200 mm	■	■
Plastic rim, Rubber wheel Ø 200 mm, non-marking	■	■
Steel rim, ball bearing	■	■
Castor	■	■
Double stop (DS)	■	■
Central locking device (ZF)	■	■
Steering lock	■	■

LOCKING SYSTEMS

Padlock device 1x	■	
Padlock device 2x	■	■
Triangular Lock		
with open position	■	■
without open position	■	■
Cylinder lock without automatic function		
same key locking	■	■
group key locking	■	■
different key locking	■	■
Cylinder lock with automatic function		
same key locking	■	■
group key locking	■	■
different key locking	■	■

CHIP INSTALLATION

RFID chip, installation without barcode sticker	■	■
RFID chip, installation with barcode sticker	■	■

RFID CHIP

Transponder 134kHz HDX + HID Inlay casted	■	■
Transponder 134kHz FDX casted	■	■
Transponder 134kHz FDX riveted	■	■
Transponder 134kHz HDX + glass	■	■
Transponder 125kHz FDX casted	■	■
Transponder 125kHz FDX riveted	■	■
Transponder 13,56 MHz	■	■

LABELLING**Body**

SULO sticker	■	■
Customer sticker	■	■
Hot foil stamping	■	■
Running numbers (colourless / black / white)	■	■

Lid

SULO sticker	■	■
Screen printing		■
Hot foil stamping	■	■
Running numbers (colourless / black / white)	■	■
Embossing insert	■	■

■ Standard
■ Option

The entire range of proven SULO quality

CITYBAC® CLASSIC

SULO bins are famous throughout the world for their particular longevity and robustness. In many countries, the name SULO is synonymous with refuse bins. To ensure that the entire bandwidth of SULO bin volumes worldwide is available without limitations, we have created the optimal prerequisite through our CITYBAC® Classic series: resource-conserving thanks to production from high-quality recyclate and proven a million times over due to its classic design.

Welcome home

- Bins in a proven, classic design
- Broad range of colours and unlimited combinations
- Precision production from high-quality HDPE recyclate
- Rot-proof, resistant to moisture, cold, heat, chemicals
- Fully recyclable

Citybac® Classic 60L

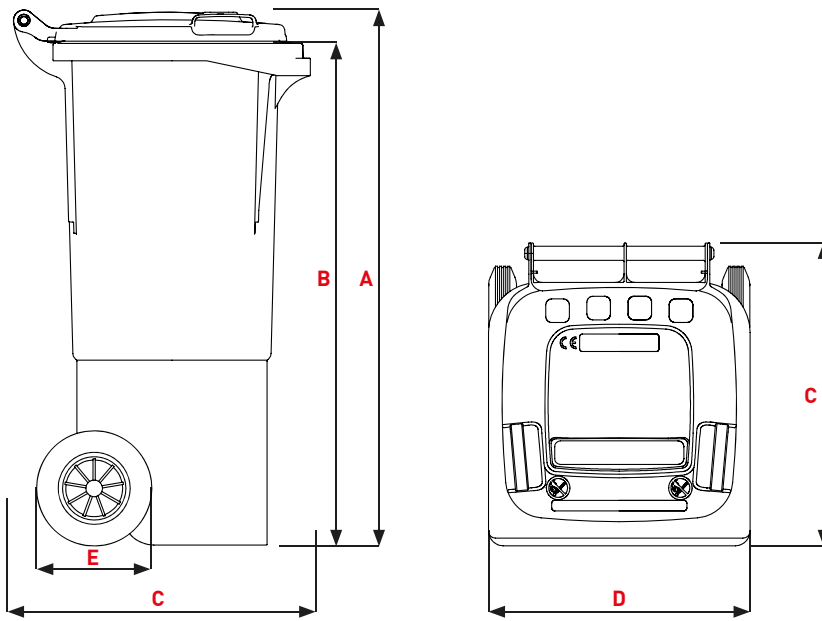
PRODUCT DETAILS



- 1 Standard Lid
- 2 Handles 2x
- 3 Lid rivet 2x
- 4 Marking areas

- A Body
- B Continuous handle bar
- C DIN comb lifting system, double stage
- D SULO sticker / Marking areas
- E External wheels
- F Chip nest as standard
- G Lateral grip surfaces with wave profile





STANDARD LID

Dimensions (mm)

A Height total ~	925
B Comb height ~	871
C Bin depth ~	516
D Width total ~	445
E Wheel diameter ~	200

Weights

Tubular axle	
Nominal volume (L)	60
Empty weight (kg) ~	8,5
Max. filling weight(kg) ~	24
Max. total weight (kg) ~	50

CLIP LID

Dimensions (mm)

A Height total ~	932
B Comb height ~	871
C Bin depth ~	518
D Width total ~	445
E Wheel diameter ~	200

Weights

Tubular axle	
Nominal volume (L)	60
Empty weight (kg) ~	8,5
Max. filling weight(kg) ~	24
Max. total weight (kg) ~	50

Dimensions may vary due to production conditions. The specified empty weights are rounded average based on the standard specifications. The actual weight may be different as a result of production conditions and specifications.

Citybac® Classic 60L

PRODUCT DETAILS

COLOURING

Bin bodies made from 100 % recycled material with a minimum of 60 % post-consumer recycled material.



Perfectly set in scene with coloured **lids** for fraction identification



GREY
RAL
7021
AT



GREEN
RAL
6011
VJ



BROWN
RAL
8025
MR



BLUE
RAL
5023
BN



YELLOW
RAL
1018
JA



RED
RAL
3001
RN

ALTERNATIVE COLOURS FOR THE BIN BODY



GREEN
RAL
6011
VJ

ECO FRIENDLY

■ ■ ■ ■ ■



BROWN
RAL
8025
MR

ECO FRIENDLY

■ ■ ■ ■ ■



BLUE
RAL
5023
BN

ECO FRIENDLY

■ ■ ■ ■ ■



YELLOW
RAL
1018
JA

ECO FRIENDLY

■ ■ ■ ■ ■

Colours may vary due to production. The colour values given according to RAL are guide colours.

FRACTION MARKING



Clip available in the colours



Label for Clip Lid, individual printing possible

BIO-FILTER LID



Lid available in the colours



Bio-filter lid - with active bio-filter material

NOISE REDUCTION SYSTEMS



Lid Opening Noise Reduction



Lid closing damper

WHEELS



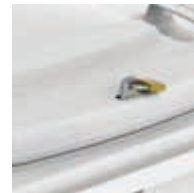
Ø 200 mm Wheel



Ø 250 mm Wheel



Triangular Locks



Padlock Fixtures



Cylinder lock with automatic function



Cylinder lock without automatic function

LOCKING SYSTEMS

Citybac® Classic 80L

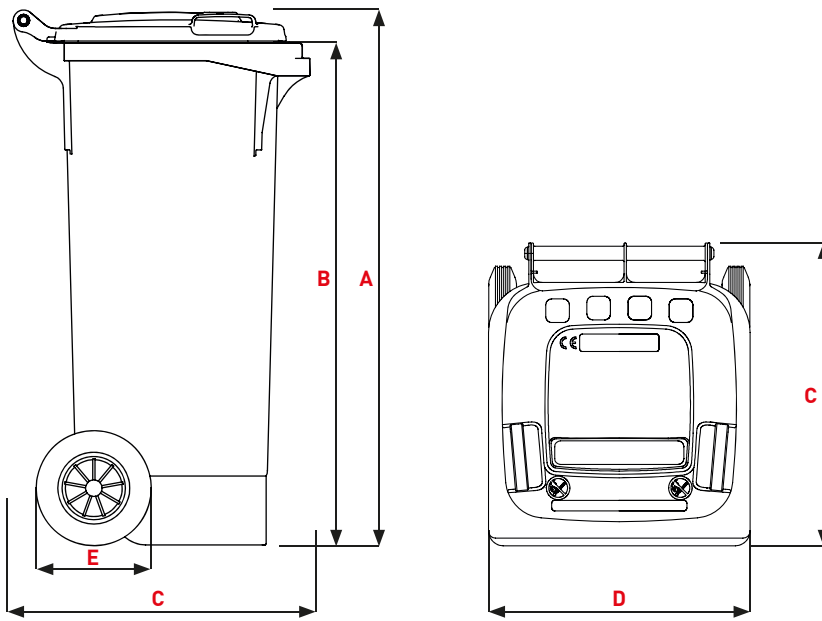
PRODUCT DETAILS



- 1 Standard Lid
- 2 Handles 2x
- 3 Lid rivet 2x
- 4 Marking areas

- A Body
- B Continuous handle bar
- C DIN comb lifting system, double stage
- D SULO sticker / Marking areas
- E External wheels
- F Chip nest as standard
- G Lateral grip surfaces with wave profile





STANDARD LID

Dimensions (mm)

A Height total ~	925
B Comb height ~	871
C Bin depth ~	516
D Width total ~	445
E Wheel diameter ~	200

Weights

Tubular axle	
Nominal volume (L)	80
Empty weight (kg) ~	8,3
Max. filling weight (kg) ~	24
Max. total weight (kg) ~	50

CLIP LID

Dimensions (mm)

A Height total ~	935
B Comb height ~	871
C Bin depth ~	518
D Width total ~	445
E Wheel diameter ~	200

Weights

Tubular axle	
Nominal volume (L)	80
Empty weight (kg) ~	8,3
Max. filling weight (kg) ~	32
Max. total weight (kg) ~	50

Dimensions may vary due to production conditions. The specified empty weights are rounded average based on the standard specifications. The actual weight may be different as a result of production conditions and specifications.

Citybac® Classic 80L

PRODUCT DETAILS

COLOURING

Bin bodies made from 100 % recycled material with a minimum of 60 % post-consumer recycled material.



Perfectly set in scene with coloured **lids** for fraction identification



GREY
RAL
7021
AT



GREEN
RAL
6011
VJ



BROWN
RAL
8025
MR



BLUE
RAL
5023
BN



YELLOW
RAL
1018
JA



RED
RAL
3001
RN

ALTERNATIVE COLOURS FOR THE BIN BODY



GREEN
RAL
6011
VJ

ECO FRIENDLY

■ ■ ■ ■ ■



BROWN
RAL
8025
MR

ECO FRIENDLY

■ ■ ■ ■ ■



BLUE
RAL
5023
BN

ECO FRIENDLY

■ ■ ■ ■ ■



YELLOW
RAL
1018
JA

ECO FRIENDLY

■ ■ ■ ■ ■

Colours may vary due to production. The colour values given according to RAL are guide colours.

FRACTION MARKING



Clip available in the colours



Label for Clip Lid, individual printing possible

BIO-FILTER LID



Lid available in the colours



Bio-filter lid - with active bio-filter material

NOISE REDUCTION SYSTEMS



Lid Opening Noise Reduction



Lid closing damper

WHEELS



Ø 200 mm Wheel



Ø 250 mm Wheel



Triangular Locks



Padlock Fixtures



Cylinder lock with automatic function



Cylinder lock without automatic function

LOCKING SYSTEMS

Citybac® Classic 120L

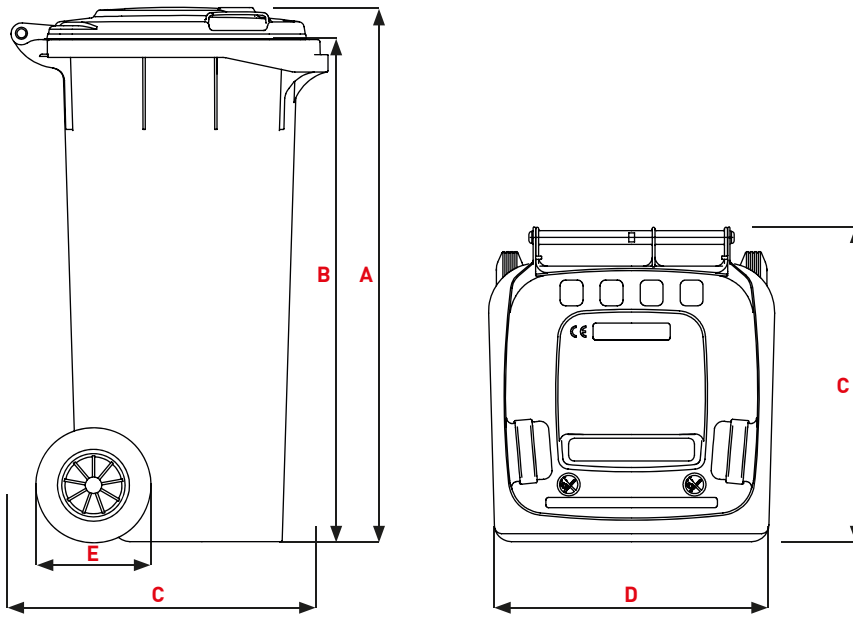
PRODUCT DETAILS



- 1 Standard Lid
- 2 Handles 2x
- 3 Lid rivet 2x
- 4 Marking areas

- A Body
- B Continuous handle bar
- C DIN comb lifting system, double stage
- D SULO sticker / Marking areas
- E External wheels
- F Chip nest as standard
- G Lateral grip surfaces with wave profile





STANDARD LID

Dimensions (mm)

A Height total ~	933
B Comb height ~	871
C Bin depth ~	550
D Width total ~	500
E Wheel diameter ~	200

Weights

Tubular axle	
Nominal volume (L)	120
Empty weight (kg) ~	8,9
Max. filling weight (kg) ~	48
Max. total weight (kg) ~	60

CLIP LID

Dimensions (mm)

A Height total ~	934
B Comb height ~	871
C Bin depth ~	550
D Width total ~	500
E Wheel diameter ~	200

Weights

Tubular axle	
Nominal volume (L)	120
Empty weight (kg) ~	8,9
Max. filling weight (kg) ~	48
Max. total weight (kg) ~	60

Dimensions may vary due to production conditions. The specified empty weights are rounded average based on the standard specifications. The actual weight may be different as a result of production conditions and specifications.

Citybac® Classic 120L

PRODUCT DETAILS

COLOURING

Bin bodies made from 100 % recycled material with a minimum of 60 % post-consumer recycled material.



Perfectly set in scene with coloured **lids** for fraction identification



GREY
RAL
7021
AT



GREEN
RAL
6011
VJ



BROWN
RAL
8025
MR



BLUE
RAL
5023
BN



YELLOW
RAL
1018
JA



RED
RAL
3001
RN

ALTERNATIVE COLOURS FOR THE BIN BODY



GREEN
RAL
6011
VJ

ECO FRIENDLY

■ ■ ■ ■ ■



BROWN
RAL
8025
MR

ECO FRIENDLY

■ ■ ■ ■ ■



BLUE
RAL
5023
BN

ECO FRIENDLY

■ ■ ■ ■ ■



YELLOW
RAL
1018
JA

ECO FRIENDLY

■ ■ ■ ■ ■

Colours may vary due to production. The colour values given according to RAL are guide colours.

FRACTION MARKING



Clip available in the colours



Label for Clip Lid, individual printing possible

BIO-FILTER LID



Lid available in the colours



Bio-filter lid - with active bio-filter material

LID SLOT SYSTEMS

Glass



Round slot with rubber rosette Ø 150 mm

Paper



Opening Slot 250 x 30 mm

PEDAL



Opening by pushing the foot pedal

NOISE REDUCTION SYSTEMS



Lid Opening Noise Reduction



Lid closing damper

WHEELS



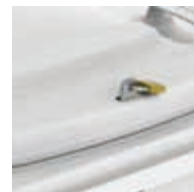
Ø 200 mm Wheel



Ø 250 mm Wheel



Triangular Locks



Padlock Fixtures



Cylinder lock with automatic function



Cylinder lock without automatic function

LOCKING SYSTEMS

Citybac® Classic 140L

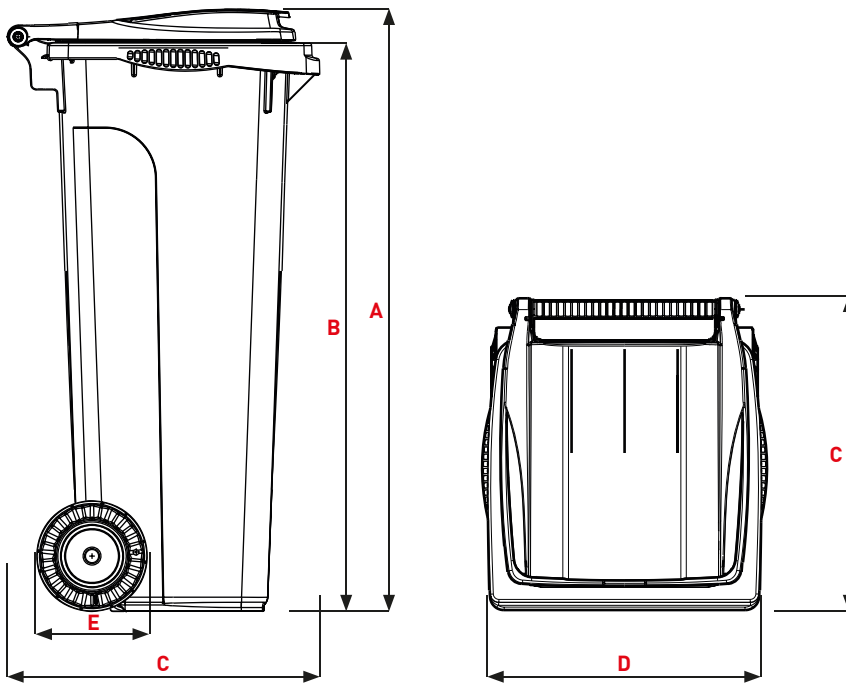
PRODUCT DETAILS



- 1 Design Lid
- 2 3-sided all-round handle strip
- 3 Marking areas

- A Body
- B Handle bar
- C DIN comb lifting system, double stage
- D SULO sticker / Marking areas
- E External wheels
- F Chip nest as standard
- G Lateral grip surfaces





DESIGN LID

Dimensions (mm)

A Height total ~	1070
B Comb height ~	1010
C Bin depth ~	554
D Width total ~	508
E Wheel diameter ~	200

Weights

Tubular axle	
Nominal volume (L)	140
Empty weight (kg) ~	9,4
Max. filling weight (kg) ~	56
Max. total weight (kg) ~	70

Dimensions may vary due to production conditions. The specified empty weights are rounded average based on the standard specifications. The actual weight may be different as a result of production conditions and specifications.

Citybac® Classic 140L

PRODUCT DETAILS

COLOURING

Bin bodies made from 100 % recycled material with a minimum of 60 % post-consumer recycled material.



Perfectly set in scene with coloured **lids** for fraction identification



GREY
RAL
7021
AT



GREEN
RAL
6011
VJ



BROWN
RAL
8025
MR



BLUE
RAL
5023
BN



YELLOW
RAL
1018
JA



RED
RAL
3001
RN

ALTERNATIVE COLOURS FOR THE BIN BODY



GREEN
RAL
6011
VJ

ECO FRIENDLY

■ ■ ■ ■ ■



BROWN
RAL
8025
MR

ECO FRIENDLY

■ ■ ■ ■ ■



BLUE
RAL
5023
BN

ECO FRIENDLY

■ ■ ■ ■ ■



YELLOW
RAL
1018
JA

ECO FRIENDLY

■ ■ ■ ■ ■

Colours may vary due to production. The colour values given according to RAL are guide colours.

LID SLOT SYSTEMS

Packaging



Lin in Lid

Glass



Round slot with rubber rosette
Ø 150 mm

Paper



Paper Inlet Hood

WHEELS



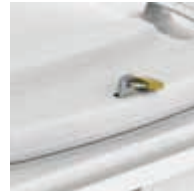
Ø 200 mm Wheel



Ø 250 mm Wheel



Triangular Locks



Padlock Fixtures



Cylinder lock with automatic function



Cylinder lock without automatic function

LOCKING SYSTEMS

Citybac® Classic 240L

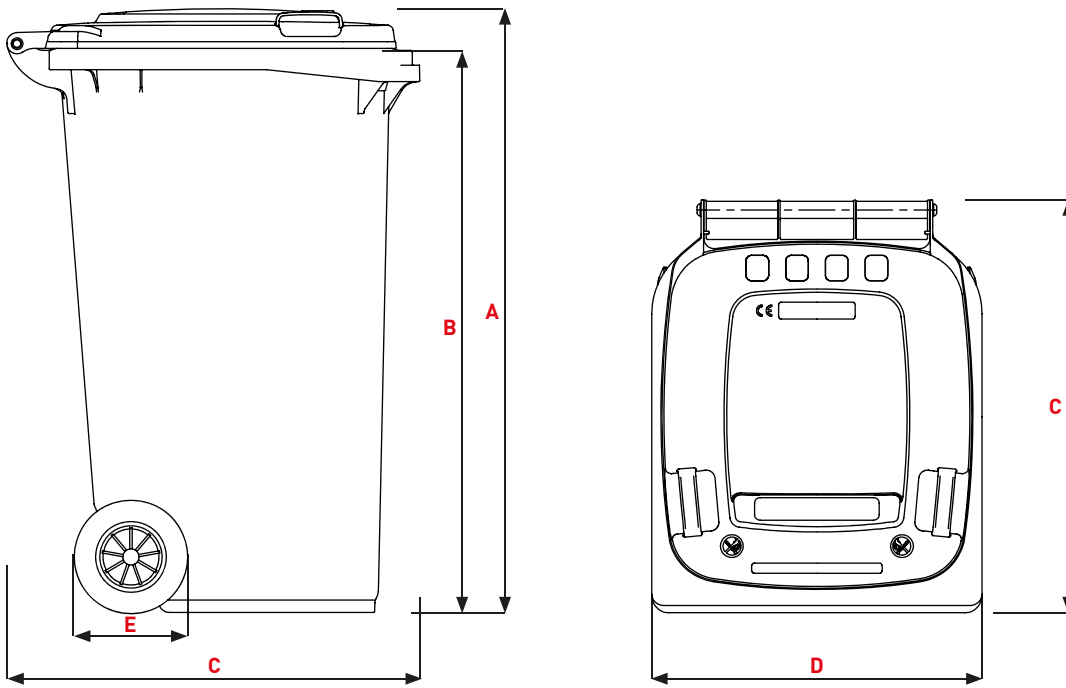
PRODUCT DETAILS



- 1 Standard Lid
- 2 Handles 2x
- 3 Lid rivet 2x
- 4 Marking areas

- A Body
- B Continuous handle bar
- C DIN comb lifting system, double stage
- D SULO sticker / Marking areas
- E External wheels
- F Chip nest as standard
- G Lateral grip surfaces





STANDARD LID

Dimensions (mm)

A Height total ~	1075
B Comb height ~	991
C Bin depth ~	728
D Width total ~	582
E Wheel diameter ~	200

Weights

Tubular axle	
Nominal volume (L)	240
Empty weight (kg) ~	12,3
Max. filling weight(kg) ~	96
Max. total weight (kg) ~	110

CLIP LID

Dimensions (mm)

A Height total ~	1075
B Comb height ~	991
C Bin depth ~	728
D Width total ~	582
E Wheel diameter ~	200

Weights

Tubular axle	
Nominal volume (L)	240
Empty weight (kg) ~	12,3
Max. filling weight(kg) ~	96
Max. total weight (kg) ~	110

Dimensions may vary due to production conditions. The specified empty weights are rounded average based on the standard specifications. The actual weight may be different as a result of production conditions and specifications.

Citybac® Classic 240L

PRODUCT DETAILS

COLOURING

Bin bodies made from 100 % recycled material with a minimum of 60 % post-consumer recycled material.



Perfectly set in scene with coloured **lids** for fraction identification



GREY
RAL
7021
AT



GREEN
RAL
6011
VJ



BROWN
RAL
8025
MR



BLUE
RAL
5023
BN



YELLOW
RAL
1018
JA



RED
RAL
3001
RN

ALTERNATIVE COLOURS FOR THE BIN BODY



GREEN
RAL
6011
VJ

ECO FRIENDLY

■ ■ ■ ■ ■



BROWN
RAL
8025
MR

ECO FRIENDLY

■ ■ ■ ■ ■



BLUE
RAL
5023
BN

ECO FRIENDLY

■ ■ ■ ■ ■



YELLOW
RAL
1018
JA

ECO FRIENDLY

■ ■ ■ ■ ■

Colours may vary due to production. The colour values given according to RAL are guide colours.

FRACTION MARKING



Clip available in the colours



Label for Clip Lid, individual printing possible

BUTTERFLY LID



available in the colours



Butterfly lid - Lid opening from both sides

BIO-FILTERDECKEL



Lid available in the colours



Bio-filter lid - with active bio-filter material

LID SLOT SYSTEMS

Glass



Round slot with rubber rosette
Ø 150 mm

Paper



Opening slot
300 x 60 mm



Paper Inlet Hood
BLUE

PEDAL



Opening by pushing the foot pedal

NOISE REDUCTION SYSTEMS



Lid Opening Noise Reduction



Lid closing damper

WHEELS



Ø 200 mm Wheel



Ø 250 mm Wheel



Triangular Locks



Padlock Fixtures



Cylinder lock with automatic function



Cylinder lock without automatic function

LOCKING SYSTEMS

Citybac® Classic 2Wheel

TECHNICAL INFORMATION

	60 LITRE	80 LITRE	120 LITRE	140 LITRE	240 LITRE
MATERIAL OPTIONS					
Extra UV protection	■	■	■	■	■
COLOURS					
Standard colours	■	■	■	■	■
Other colours	■	■	■	■	■
LID SYSTEMS					
Standard Lid	■	■	■		■
Clip Lid (EURO2)	■	■	■		■
Design Lid				■	
Silent Lid					■
Butterfly Lid					■
Bio-Filter Lid	■	■	■	■	■
Label for Clip Lid, individual printing possible	■	■	■		■
LIFTING SYSTEMS					
EN 840 / DIN Comb	■	■	■	■	■
LID SLOT SYSTEMS					
Glass					
Round slot with rubber rosette Ø 150 mm			■	■	■
Paper					
Opening Slot 250 x 30 mm			■	■	
Opening Slot 300 x 30 mm					
Opening Slot 300 x 60 mm					■
PaperPaper Inlet Hood blue				in lid colour	■
Packaging					
Lid-in-Lid					
LID OPENING SYSTEM					
Lid opening system by foot pedal			■	■	■
NOISE REDUCTION SYSTEMS					
Lid opening noise reduction	■	■	■		■
Lid closing damper	■	■	■		■
VARIO SYSTEM					
VARIO Bin-in-Bin Insert 40L			■		
VARIO Bin-in-Bin Insert 60L			■		
VARIO Bin-in-Bin Insert 80L			■		
CHASSIS					
Tubular axle	■	■	■	■	■
Full axle	■	■	■	■	■

	60 LITRE	80 LITRE	120 LITRE	140 LITRE	240 LITRE
WHEELS					
Ø 200 mm	■	■	■	■	■
Ø 250 mm	■	■	■	■	■
Ø 300 mm					
LOCKING SYSTEMS					
Padlock device 1x	■	■	■	■	■
Triangular Locks					
with open position	■	■	■	■	■
without open position	■	■	■	■	■
Cylinder lock without automatic function					
same key locking	■	■	■	■	■
group key locking	■	■	■	■	■
different key locking	■	■	■	■	■
Cylinder lock with automatic function					
same key locking	■	■	■	■	■
group key locking	■	■	■	■	■
different key locking	■	■	■	■	■
CHIP INSTALLATION					
RFID chip, installation without barcode sticker	■	■	■	■	■
RFID chip, installation with barcode sticker	■	■	■	■	■
RFID CHIP					
Transponder 134kHz HDX + HID Inlay casted	■	■	■	■	■
Transponder 134kHz FDX casted	■	■	■	■	■
Transponder 134kHz FDX riveted	■	■	■	■	■
Transponder 134kHz HDX + glass	■	■	■	■	■
Transponder 125kHz FDX casted	■	■	■	■	■
Transponder 125kHz FDX riveted	■	■	■	■	■
Transponder 13,56 MHz	■	■	■	■	■
LABELLING					
Body					
SULO sticker	■	■	■	■	■
Customer sticker	■	■	■	■	■
Hot foil stamping	■	■	■	■	■
Running numbers (colourless / black / white)	■	■	■	■	■
Lid					
Hot foil stamping	■	■	■		■
Running numbers (colourless / black / white)	■	■	■		■
Embossing insert	■	■	■		■
Print on Clip (Clip Lid)	■	■	■		■

■ Standard
■ Option

Citybac® Classic 660L

PRODUCT DETAILS



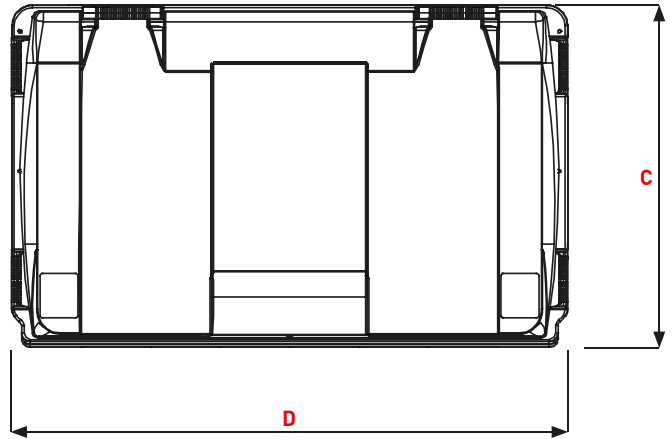
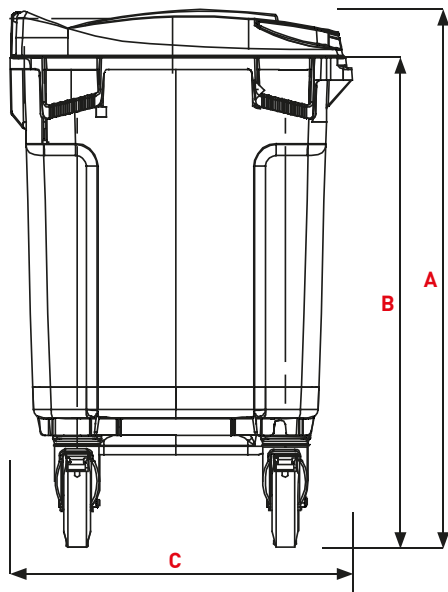
- 1 Flat Lid
- 2 Handle / handle recess
- 3 Handles with handle bar, rear 2x
- 4 Marking areas

- A Body
- B DIN comb lifting system, double stage
- C Stacking ribs
- D SULO sticker / Marking areas
- E Ergonomic handles lateral 4x
- F Chip nest as standard
- G Functional castors 2x
- H Castors 2x



MANUAL LOCK

AUTOMATIC LOCK



FLAT LID

Dimensions (mm)

A Height total ~	1165
B Upper comb edge ~	1070
C Bin depth ~	775
D Width total ~	1265

Weights

Nominal volume (L)	660
Empty weight (kg) ~	37,3
Max. filling weight (kg) ~	264

Citybac® Classic 660L

PRODUCT DETAILS

COLOURING

Bin bodies made from 100 % recycled material with a minimum of 60 % post-consumer recycled material.



GREY
RAL 7021
AT

ECO FRIENDLY 

■ ■ ■ ■ ■

Perfectly set in scene with coloured **lids** for fraction identification



GREY
RAL 7021
AT



GREEN
RAL 6011
VJ



BROWN
RAL 8025
MR



BLUE
RAL 5023
BN



YELLOW
RAL 1018
JA



RED
RAL 3001
RN

ALTERNATIVE COLOURS FOR THE BIN BODY



GREEN
RAL 6011
VJ

ECO FRIENDLY 

■ ■ ■ ■ ■



BROWN
RAL 8025
MR

ECO FRIENDLY 

■ ■ ■ ■ ■



BLUE
RAL 5023
BN

ECO FRIENDLY 

■ ■ ■ ■ ■



YELLOW
RAL 1018
JA

ECO FRIENDLY 

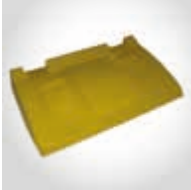
■ ■ ■ ■ ■

Colours may vary due to production. The colour values given according to RAL are guide colours.

+ OPTIONS

LID-IN-LID

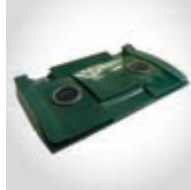
Packaging



Lid-in-lid 2x, small
Lid only available in
Yellow RAL 1018

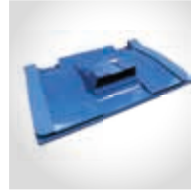
LID SLOT SYSTEMS

Glass



Round slot with
rubber rosette
Ø 150 mm /Lock
required

Paper



Paper Inlet Hood

LIFTING SYSTEMS



Fork lift device



Lifting trunnions

TRANSPORT



Towing system



Lid opening device,
foot execution

NOISE REDUCTION SYSTEMS



Lid closing damper

CHASSIS



Plastic rim,
Rubber wheel
Ø 200 mm



Plastic rim,
Rubber wheel
Ø 200 mm,
non-marking



Steel rim,
ball bearing,
Rubber wheel
Ø 200 mm



Double stop (DS)

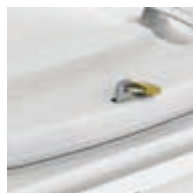


Steering lock

LOCKING SYSTEMS



Triangular Locks
with / without open
position



Padlock Fixtures



Cylinder lock with
automatic function



Cylinder lock without
automatic function

Citybac® Classic 770L

PRODUCT DETAILS



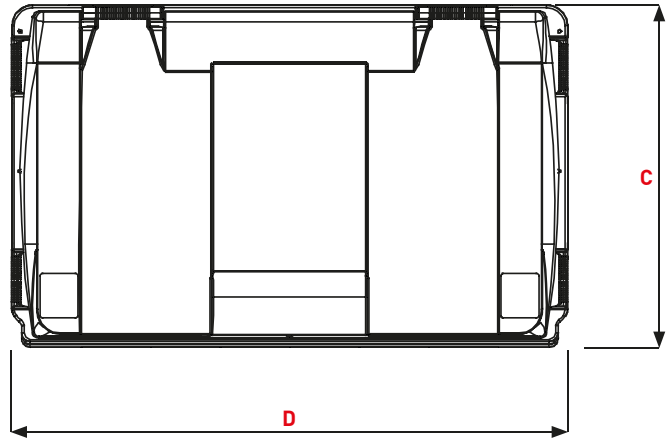
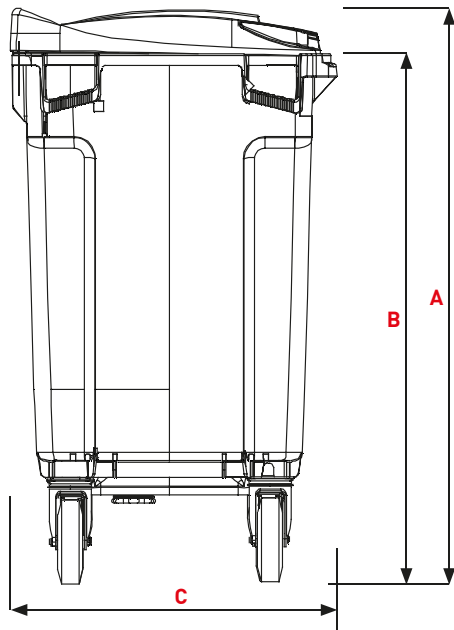
- 1 Flat Lid
- 2 Handle / handle recess
- 3 Handles with handle bar, rear 2x
- 4 Marking areas

- A Body
- B DIN comb lifting system, double stage
- C Stacking ribs
- D SULO sticker / Marking areas
- E Ergonomic handles lateral 4x
- F Chip nest as standard
- G Functional castors 2x
- H Castors 2x



MANUAL LOCK

AUTOMATIC LOCK



FLAT LID

Dimensions (mm)

A Height total ~	1320
B Upper comb edge ~	1215
C Bin depth ~	775
D Width total ~	1265

Weights

Nominal volume (L)	770
Empty weight (kg) ~	39,6
Max. filling weight (kg) ~	308

Citybac® Classic 770L

PRODUCT DETAILS

COLOURING

Bin bodies made from 100 % recycled material with a minimum of 60 % post-consumer recycled material.



GREY
RAL 7021
AT

ECO FRIENDLY 

■ ■ ■ ■ ■

Perfectly set in scene with coloured **lids** for fraction identification



GREY
RAL 7021
AT



GREEN
RAL 6011
VJ



BROWN
RAL 8025
MR



BLUE
RAL 5023
BN



YELLOW
RAL 1018
JA



RED
RAL 3001
RN

ALTERNATIVE COLOURS FOR THE BIN BODY



GREEN
RAL 6011
VJ

ECO FRIENDLY 

■ ■ ■ ■ ■



BROWN
RAL 8025
MR

ECO FRIENDLY 

■ ■ ■ ■ ■



BLUE
RAL 5023
BN

ECO FRIENDLY 

■ ■ ■ ■ ■



YELLOW
RAL 1018
JA

ECO FRIENDLY 

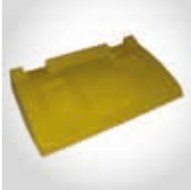
■ ■ ■ ■ ■

Colours may vary due to production. The colour values given according to RAL are guide colours.

+ OPTIONS

LID-IN-LID

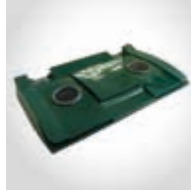
Packaging



Lid-in-lid 2x, small
Lid only available in
Yellow RAL 1018

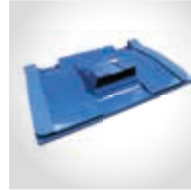
LID SLOT SYSTEMS

Glass



Round slot with
rubber rosette
Ø 150 mm /Lock
required

Paper



Paper Inlet Hood

LIFTING SYSTEMS



Fork lift device



Lifting trunnions

TRANSPORT



Towing system



Lid opening device,
foot execution

NOISE REDUCTION SYSTEMS



Lid closing damper

CHASSIS



Plastic rim,
Rubber wheel
Ø 200 mm



Plastic rim,
Rubber wheel
Ø 200 mm,
non-marking



Steel rim,
ball bearing,
Rubber wheel
Ø 200 mm



Double stop (DS)

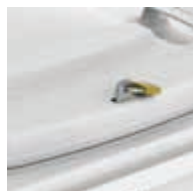


Steering lock

LOCKING SYSTEMS



Triangular Locks
with / without open
position



Padlock Fixtures



Cylinder lock with
automatic function



Cylinder lock without
automatic function

Citybac® Classic 1100L Flat Lid

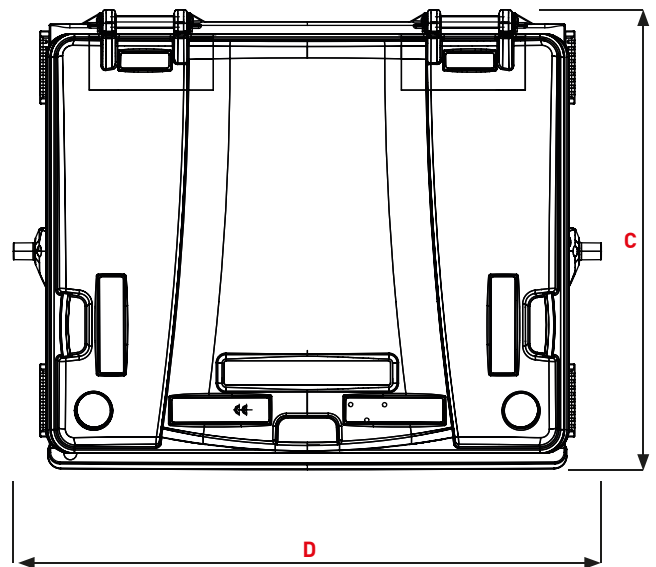
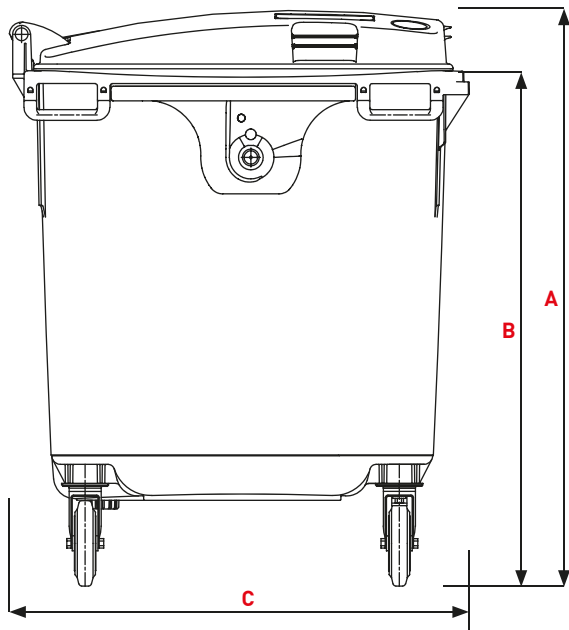
PRODUCT DETAILS



- 1 Flat Lid
- 2 Handle / recessed grip
- 3 Lid handles lateral 2x
- 4 Handles with handle bar, rear 2x
- 5 Marking areas

- A Body
- B DIN comb lifting system, double stage
- C Stacking ribs
- D SULO sticker / Marking areas
- E Ergonomic handles lateral 4x
- F Chip nest as standard
- G Lifting trunnion
- H Functional castors 2x
- I Double stop break 2x
- J Castors 2x





FLAT LID

Dimensions (mm)

A Height total ~	1330
B Upper comb edge ~	1205
C Bin depth ~	1128
D Width total ~	1370

Weights

Nominal volume (L)	1100
Empty weight (kg) ~	50
Max. filling weight (kg) ~	440
Max. total weight (kg) ~	510

FLAT LID - LID-IN-LID

Dimensions (mm)

A Height total ~	1330
B Upper comb edge ~	1205
C Bin depth ~	1075
D Width total ~	1370

Weights

Nominal volume (L)	1100
Empty weight (kg) ~	50
Max. filling weight (kg) ~	440
Max. total weight (kg) ~	510

Dimensions may vary due to production conditions. The specified empty weights are rounded average based on the standard specifications. The actual weight may be different as a result of production conditions and specifications.

Citybac® Classic 1100L Flat Lid

PRODUCT DETAILS

COLOURING

Bin bodies made from 100 % recycled material with a minimum of 60 % post-consumer recycled material.



GREY
RAL 7021
AT

ECO FRIENDLY 

■ ■ ■ ■ ■

Perfectly set in scene with coloured **lids** for fraction identification



GREY
RAL 7021
AT



GREEN
RAL 6011
VJ



BROWN
RAL 8025
MR



BLUE
RAL 5023
BN



YELLOW
RAL 1018
JA



RED
RAL 3001
RN

ALTERNATIVE COLOURS FOR THE BIN BODY



GREEN
RAL 6011
VJ

ECO FRIENDLY 

■ ■ ■ ■ ■



BROWN
RAL 8025
MR

ECO FRIENDLY 

■ ■ ■ ■ ■



BLUE
RAL 5023
BN

ECO FRIENDLY 

■ ■ ■ ■ ■



YELLOW
RAL 1018
JA

ECO FRIENDLY 

■ ■ ■ ■ ■

Colours may vary due to production. The colour values given according to RAL are guide colours.

+ OPTIONS

LID-IN-LID

Packaging



front lid available
in the colours



Lid-in-Lid

LID SLOT SYSTEMS

Glass



Round slot with
rubber rosette
Ø 150 mm

Paper

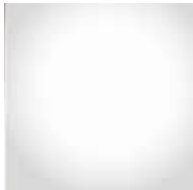


Opening Slot
530 x 95 mm



Paper Inlet Hood
Blue

LIFTING SYSTEMS



Fork lift device



Lifting trunnions



Lateral handles 2x

HANDLES

TRANSPORT



Towing system



Lid opening device,
foot execution



Lid Opening Noise
Reduction



Lid closing damper

LID OPENING

NOISE REDUCTION SYSTEMS

CHASSIS



Plastic rim,
Rubber wheel
Ø 200 mm



Plastic rim,
Rubber wheel
Ø 200 mm,
non-marking



Steel rim,
ball bearing,
Rubber wheel
Ø 200 mm



Double stop (DS)



Central locking
device (ZF)

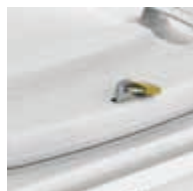


Steering lock

LOCKING SYSTEMS



Triangular Locks
with / without open
position



Padlock Fixtures



Cylinder lock with
automatic function



Cylinder lock without
automatic function

Citybac® Classic 1100L Dome Lid

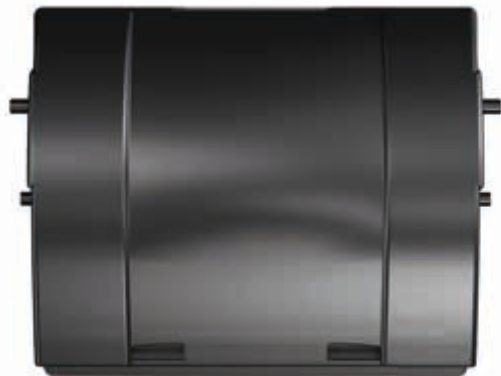
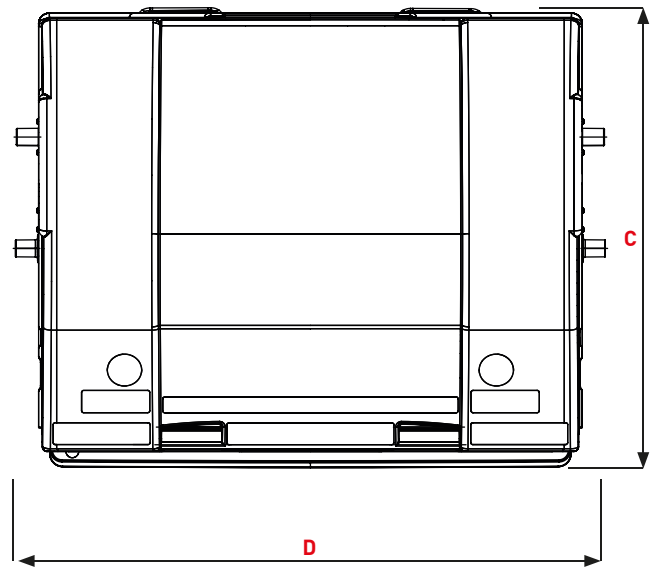
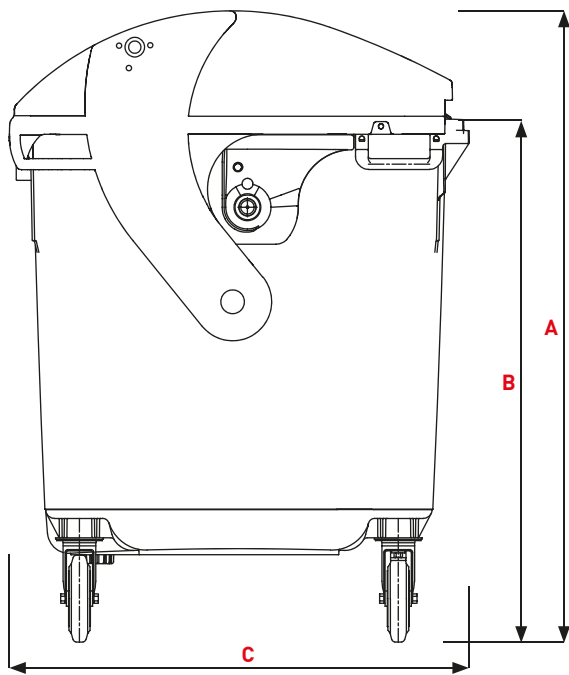
PRODUCT DETAILS



- 1 Dome Lid
- 2 Handle / recessed grip
- 3 Lid handles lateral 2x
- 4 Finger guard
- 5 Marking areas
- 6 Lid opening pegs 2x
- 7 Lid hinge 2x
- 8 Push-buttons to close the domed lid

- A Body
- B DIN comb lifting system, double stage
- C Stacking ribs
- D SULO sticker / Marking areas
- E Ergonomic handles lateral 4x
- F Chip nest as standard
- G Lifting trunnion
- H Functional castors 2x
- I Double stop break 2x
- J Castors 2x





DOME LID

Dimensions (mm)

A Height total ~	1460
B Upper comb edge ~	1205
C Bin depth ~	1210
D Width total ~	1370

Weights

Nominal volume (L)	1100
Empty weight (kg) ~	60
Max. filling weight (kg) ~	440
Max. total weight (kg) ~	51

DOME LID WITH LID-IN-LID

Dimensions (mm)

A Height total ~	1460
B Upper comb edge ~	1205
C Bin depth ~	1210
D Width total ~	1370

Weights

Nominal volume (L)	1100
Empty weight (kg) ~	60
Max. filling weight (kg) ~	440
Max. total weight (kg) ~	51

Dimensions may vary due to production conditions. The specified empty weights are rounded average based on the standard specifications. The actual weight may be different as a result of production conditions and specifications.

Citybac® Classic 1100L Dome Lid

PRODUCT DETAILS

COLOURING

Bin bodies made from 100 % recycled material with a minimum of 60 % post-consumer recycled material.



GREY
RAL 7021
AT

ECO FRIENDLY 

■ ■ ■ ■ ■

Perfectly set in scene with coloured **lids** for fraction identification



ALTERNATIVE COLOURS FOR THE BIN BODY



Colours may vary due to production. The colour values given according to RAL are guide colours.

+ OPTIONS

LID-IN-LID



front lid available in the colours



Lid-in-Lid

LID SLOT SYSTEMS

Glass



2x Round slot with rubber rosette
Ø 150 mm

Paper



Opening Slot
530 x 95 mm



Paper Inlet Hood
BLUE

LIFTING SYSTEMS



Fork lift device



Lifting trunnions



Lateral handles 2x



Rear handles
2x

HANDLES

TRANSPORT



Towing system



Lid opening device,
foot execution



Lid Opening Noise
Reduction



Lid closing damper

LID OPENING

NOISE REDUCTION SYSTEMS

CHASSIS



Plastic rim,
Rubber wheel
Ø 200 mm



Plastic rim,
Rubber wheel
Ø 200 mm,
non-marking



Steel rim,
ball bearing,
Rubber wheel
Ø 200 mm



Double stop (DS)



Central locking
device (ZF)



Steering lock

LOCKING SYSTEMS



Triangular Locks
with / without open
position



Padlock Fixtures



Cylinder lock with
automatic function



Cylinder lock without
automatic function

Citybac® Classic 4Wheel

TECHNICAL INFORMATION

	660 LITRE	770 LITRE	1.100 LITRE FD	1.100 LITRE RD
MATERIAL OPTIONS				
Extra UV protection	■	■	■	■
COLOURS				
Standard colours	■	■	■	■
Other colours	■	■	■	■
LID SYSTEMS				
Flat lid	■	■	■	
Flat lid with Lid-in-Lid (LiL)			■	
Dome lid				■
Dome lid with Lid-in-Lid (LiL)				■
LIFTING SYSTEMS				
EN 840 / DIN DIN Comb	■	■	■	■
Lifting trunnions	■	■	■	■
Lifting handles 2x	■	■	■	■
Rear handles				■
Fork lift device	■	■	■	■
WATER DRAIN				
Water drain	■	■	■	■
Without water drain	■	■	■	■
TRANSPORT				
Towing system with or without bar	■	■	■	■
LID SLOT SYSTEMS				
Packaging				
Lid-in_lid 2x, small Lid only available in Yellow RAL 1018	■	■		
Glass				
2 x Round slot with rubber rosette Ø 150 mm	■	■	■	■
Paper				
Paper slot: 530 x 95 mm			■	■
Paper Inlet Hood Blue	in lid colour	in lid colour	■	■
LID OPENING				
Lid opening device, foot execution	■	■	■	■
NOISE REDUCTION SYSTEMS				
Lid opening noise reduction			■	■
Lid closing damper	■	■	■	■
CHILD SAFETY				
Comfort				■
Basic				■
Light				■

	660 LITRE	770 LITRE	1.100 LITRE FD	1.100 LITRE RD
CHASSIS				
Plastic rim, Rubber wheel Ø 200 mm	■	■	■	■
Plastic rim, Rubber wheel Ø 200 mm, non-marking	■	■	■	■
Steel rim, ball bearing	■	■	■	■
Castor	■	■	■	■
Double stop (DS)	■	■	■	■
Central locking device (ZF)			■	■
Steering lock	■	■	■	■
LOCKING SYSTEMS				
Padlock device 1x	■	■	■	
Padlock device 2x			■	■
Triangular Lock				
with open position	■	■	■	■
without open position	■	■	■	■
Cylinder lock without automatic function				
same key locking	■	■	■	■
group key locking	■	■	■	■
different key locking	■	■	■	■
Cylinder lock with automatic function				
same key locking	■	■	■	■
group key locking	■	■	■	■
different key locking	■	■	■	■
CHIP INSTALLATION				
RFID chip, installation without barcode sticker	■	■	■	■
RFID chip, installation with barcode sticker	■	■	■	■
RFID CHIP				
Transponder 134kHz HDX + HID Inlay casted	■	■	■	■
Transponder 134kHz FDX casted	■	■	■	■
Transponder 134kHz FDX riveted	■	■	■	■
Transponder 134kHz HDX + glass	■	■	■	■
Transponder 125kHz FDX casted	■	■	■	■
Transponder 125kHz FDX riveted	■	■	■	■
Transponder 13,56 MHz	■	■	■	■
LABELLING				
Body				
SULO sticker			■	■
Customer sticker	■	■	■	■
Hot foil stamping	■	■	■	■
Running numbers (colourless / black / white)	■	■	■	■
Lid				
SULO sticker	■	■	■	■
Screen printing				■
Hot foil stamping	■	■	■	■
Running numbers (colourless / black / white)	■	■	■	■
Embossing insert	■	■	■	■

■ Standard
■ Option

The specialists for special tasks

CITYBAC® SPECIALS

The CITYBAC® series reliably covers all common collection and disposal tasks and also offers fully developed special solutions for particular requirements. Medical bins have proven themselves in numerous practices and clinics throughout the world, Confido is the number one for the secure disposal of confidential documents, Vario enables the uncomplicated adjustment of the collection volume and Diamond, offering many handling benefits, is the preferred lifting variant for many municipalities. Despite their differences, all CITYBAC® special bins have one fundamental thing in common: robust SULO quality and maximum environmental friendliness thanks to the use of recyclable materials.

Hygienic disposal for clinics and practices

CITYBAC® MEDICAL

In the medical field, hygiene is the most important. Special safety standards defined by the UN apply wherever septic waste is to be disposed of. CITYBAC® medical bins of all sizes meet these standards with ease. Every bin possesses a unique serial number so consignments can be tracked seamlessly. Thanks to their striking yellow colouring, CITYBAC® medical bins are recognisable at first glance in any environment and can be locked after use to prevent unauthorised access using a lever closure or a triangular lock.



- 1 Hot foil stamping: infectious hospital waste
- 2 UN licence number
- 3 Hazardous goods label
- 4 Pictogram: No sharp objects
- 5 Security via lever closure
- 6 Ø 160 mm tyres

M



	660 L	770 L
Lifting trunnions	■	■
Lever closure (on both sides of the bin)	■	■
Non-marking wheels	■	■
Reinforced wheels for speeds of up to 12 km/h	■	■
RFID-Chip	■	■
Removable lifting trunnions	■	■
Reinforced tow shaft	■	■
Bumper made of metal	■	■
COLOURS		
Lid yellow RAL 1018	■	■
Body yellow RAL 1018	■	■
Body grey RAL 7021	■	■

	660 L	770 L
Dimensions (mm)		
Height total ~	1170	1320
Upper comb edge ~	1070	1215
Width total ~	1265	1265
Bin depth ~	855	855
Diameter wheel ~	160	160



Removable lifting trunnions



Bumper made of metal



Reinforced tow shaft

EDICAL

The highest level of security for confidential documents

CITYBAC® CONFIDO

It is not only for data protection reasons that the vast majority of companies rely on the secure collection and disposal of sensitive documents. The CITYBAC® Confido series has been developed specifically for this task. The slot made of galvanised steel offers one-hundred-per-cent protection against curious glances and hands. Once the document has been disposed of in the bin, only authorised individuals with the key to the cylinder lock are able to access them again. Thanks to its high-quality silver-metallic design, your Confido bin fits seamlessly into high-level office furnishings.

Trust is good, Confido is better

- Security slot made of galvanised steel
- Perfectly secured against viewing and access, including through the metal reinforcement in the lid
- Good manoeuvrability even when heavy
- Lockable with cylinder lock
- High-quality silver-metallic design



- 1 Silver-metallic design
- 2 Safety paper inlet with viewing and access protection
- 3 Cylinder lock
- 4 Chip nest
- 5 Identification clip available in various colours

CO



120 L

240 L

	120 L	240 L
Dimensions (mm)		
Height total ~	934	1075
Upper comb edge ~	871	991
Bin depth ~	550	728
Width total ~	500	582
Diameter wheel ~	200	200

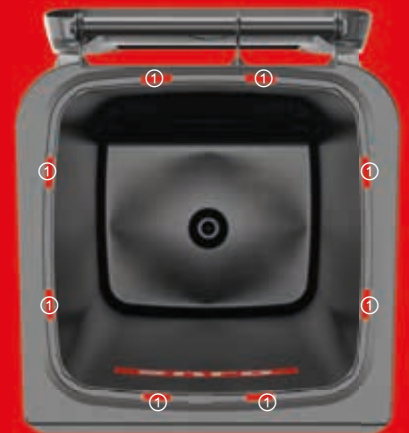
CONFIDO

Master of adaptation for your desired volume **CITYBAC® VARIO**

Modern waste separation requires the greatest possible flexibility in terms of bin design. With respect to volumes used, Vario inserts solve this challenge in next to no time. They allow the volume of the mobile bins to be adapted as required, without having to replace the entire bin.

Large becomes small

- Simple configuration of the desired bin volume
- Secure locking of the insert
- Retrofitting of mobile bins to volumes of 40, 60 and 80 litres



① Slots for the VARIO insert.



The benchmark for secure and fast handling

CITYBAC® DIAMOND

Many municipalities have discovered the benefits of the CITYBAC® Diamond lifting system for themselves and switched their waste disposal to it. Instead of the comb, the Diamond panel is lifted and locked by the waste disposal vehicle, meaning that the bin sits absolutely firmly and the entire emptying process can be carried out up to 20 % more quickly and in an extremely accident-proof manner. In this way, one-person operation offers an efficient alternative to conventional waste collection.

Optimal lifting conditions

- Self-centring lifting system with firm bin hold
- Increased speed and safety in handling
- Allows safe one-person operation
- Use of time- and cost-saving potential



- 1 Diamond lifting device
- 2 Design lid

DIAMOND



120 L

140 L

180 L

240 L

	120 L	140 L	180 L	240 L
Dimensions (mm)				
Height total ~	942	1079	1075	1081
Upper edge diamond device ~	887	1010	1010	1012
Bin depth ~	563	575	572	771
Width total ~	499	508	501	580
Diameter wheel ~	200	200	200	200

AMOND

Your one-stop partner

SULO.

Offering comprehensive services spanning the entire life cycle of a CITYBAC® bin, SULO is your reliable partner for economically optimised and sustainable processes. Data collection, marking, installation, maintenance, return and recycling of used bins – we take care of every aspect, making your waste and recycling logistics even more transparent and efficient.

SULO'S COMPREHENSIVE BIN SERVICE - THE ALL-ROUND CAREFREE PACKAGE

To ensure that your waste disposal logistics run smoothly at all times, we have developed a service offering that guarantees seamless processes. This makes the compatibility of business optimisation and a high degree of sustainability a realistic goal.

- Installation of new bins with direct distribution from the factory to the end user
- Marking and identification of bins (if required with an RFID chip)
- Maintenance, repair and replacement of defective bins
- Return and recycling of old bins



WASTE MANAGEMENT MADE BY SULO

With its digital solutions, SULO is embracing the future and offers all the components and advantages of modern waste management from a single source:

- Bin identification
- Weighing by waste producer (weighing of individual bins)
- Route optimisation
- Real-time fleet management
- Automated accounting
- Increased transparency
- Cost reduction
- Support of waste avoidance

